



## 35 years and many more to come!



Since 1979 Alpha Resources Inc. presence in the marketplace has helped control unjustified price increases and has caused price reductions by our competition.

Thanks to your growing support, Alpha Resources continues to improve its quality, maintain low pricing and expand its offering.

Our growing sales of the high quality affordably priced Eltra line of instruments gives you another useful avenue to avoid overpriced analyzers. In 19 years no Eltra analyzer has been left unsupported. We do not force you to routinely purchase unneeded new instruments because they are being prematurely rendered obsolete. We have HUNDREDS of satisfied users and we would like all of our customers to consider this money saving approach.

We wish to thank the thousands of you that have made our success possible. We truly appreciate every single one of you and pledge to continue expanding our products and provide you with an alternate source of **QUALITY PRODUCTS FOR ANALYSIS.**

Sincerely,  
Alpha Resources Inc.



Alpha Resources is committed to total quality excellence and the continuing improvement of its operations to achieve both high quality and customer satisfaction.

Alpha Resources is pleased to have achieved ISO/IEC 17025 as well as ISO 9002. Our scope of accreditation covers the testing of all our certified reference materials and verifies our commitment to excellence through our quality system.

- Terms of Sales/Ordering Information.....3
- General Combustion Supplies.....4
- Boats, Capsules and Crucibles.....5-6
- Eltra CHS580 Carbon, Hydrogen and Sulfur Analyzer for Organics.....7
- Eltra CHS580A HELIOS Carbon, Hydrogen and Sulfur Analyzer w/Autoloader for Organics.....8
- Combustion Tubes, Glassware and Supplies for LECO® SC32/132/232, CR12 and CF-10.....9
- Combustion Tubes, Glassware and Supplies for LECO® S144/SC144.....10
- Combustion Tubes, Glassware and Supplies for LECO® SC432, CR412, SC444, SC632.....11
- Combustion Tubes, Glassware and Supplies for LECO® FP2000, CNS2000.....12
- Combustion Tubes, Glassware and Supplies for LECO® TruMac.....13
- Combustion Tubes for LECO® Nitrogen/Food Protein Analyzers FP428/528/628 TruSpec.....14
- Quartz and Glassware for LECO® Analyzers.....15
- Elementar Supplies.....16
- Dumatherm and Velp Nitrogen/Food Protein Supplies.....17
- Certified Reference Materials for Food Protein.....18
- Certified Reference Materials for Elemental Microanalysis.....18
- Certified Reference Materials for Coals and Cokes.....19-21
- Certified Reference Materials for Oils and Fuels.....22-27
- O-Rings for Eltra, LECO® and Elementar.....28-31
- Miscellaneous Operating Supplies.....32
- Alpha® to LECO® Cross Reference.....33-42
- Alpha to Elementar Cross Reference.....43-44

**REFERENCE CARD: CHN628/FP628**  
**CONSUMABLES & SUPPLIES**

ALPHA RESOURCES, INC.

YOU CAN NOW PLACE YOUR ORDER ONLINE—VISIT US AT [WWW.ALPHARESOURCES.COM](http://WWW.ALPHARESOURCES.COM)  
 DOWNLOAD CERTS, MSDS, OBTAIN PRICING, STOCK STATUS, FIND NEW PRODUCTS, CROSS REFERENCES AND MUCH MORE



**PURITY AND GLASSWARE**

- AR546 (831-340) LANCE TUBE
- AR554 (619-154) REDUCTION TUBE
- AR556 (619-236) LEAD REAGENT TUBE
- AR558 (819-314) GLASS REAGENT TUBE
- AR560 (619-361) CONDUCTION TUBE
- AR562 (821-405) LARGE VOLUME CRUCIBLE, 80MM, PACKAGE OF 12
- AR564 (619-112) LARGE CRUCIBLE, CRUCIBLE, PACKAGE OF 12

**GENERAL COMBUSTION SUPPLIES**

- AR78 (128-174) COPPER STICKS 1000 BOTTLE
- AR80 (132-185) COPPER STICKS 5000 BOTTLE
- AR80A (132-186) COPPER STICKS 10000 BOTTLE
- AR82 (132-295) COPPER TUBING 3000 BOTTLE
- AR83 (132-409) PLUMBAGO REAGENT 1000 BOTTLE
- AR85 (132-081) GLASS WOOD 4500 BOX
- AR86 (132-302) GLASS WOOD 3276 PACKAGE
- AR274 (132-147) ALUMINUM 5000 BOTTLE
- AR287 (132-151) MANGANESE DIOXIDE 2000 BOTTLE
- AR288 (132-049) NITROGEN 500 BOTTLE
- AR279 (132-175) QUANTUM SILENCE 10/LPK
- AR282 (132-112) STEEL WOOD 4500

**DEPLETION ACCESSORIES**

- AR201 (132-005) PURITY BRUSH
- AR202 (132-016) BRUSH
- AR152 (132-132) CRUCIBLE EXTRACTION TUBE
- AR308 (175-308) SECONDARY FILTER
- AR373 (132-021) REAGENT TUBE FUNNEL
- AR100 (132-011) THERMOCOUPLE TUBE
- AR101 (132-041) VACUUM GREASE

**SEALS**

- AR155
- AR156
- AR157
- AR158
- AR159
- AR160
- AR161
- AR162
- AR163

**SAMPLE CONTAINMENT**

ALPHA LECO®	METAL	TYPE	DIAM	HEIGHT	WEIGHT	UNIT	
AR568	(821-250)	IN	CAPULE	SUNNY	13.0MM	14.0MG	333
AR572	(822-030)	IN	PLUG	SUNNY	8.0MM	30.0MG	333
AR571	(821-072)	IN	CAPULE	SUNNY	13.0MM	28.0MG	333
AR284	(820-040)	IN	CAPULE	SUNNY	25.0MM	20.0MG	333
AR237	(820-127)	IN	CAPULE	SUNNY	12.0MM	40.0MG	333
AR205	(822-085)	IN	PAPER	SUNNY	12.0MM	13.0MG	333
AR154	(822-180)	IN	COMP	SUNNY	12.0MM	12.0MG	333
AR168	(822-190)	IN	ADAPTER	TUNNY	12.0MM	8.0MG	431
AR130	(822-192)	IN	ADAPTER	SUNNY	12.0MM	7.0MG	431

ALPHA RESOURCES, INC.      PHONE: (610) 833-3083  
 8102 S. W. 20TH AVENUE #60      FAX: (610) 833-3089  
 TROENCKEN, PA 19381      EMAIL: [SALES@ALPHARESOURCES.COM](mailto:SALES@ALPHARESOURCES.COM)  
[WWW.ALPHARESOURCES.COM](http://WWW.ALPHARESOURCES.COM)

## Online Documentation

### QUICK REFERENCE CARDS

Quickly find the correct Alpha part number for your OEM instrumentation.

### MSDS's

Complete list of all related Material Safety Data Sheets

### Certificates

All current and past Certifications of Analysis

Visit us at - [www.alpharesources.com](http://www.alpharesources.com)



## Ordering Online Now Available

- 1) Visit [www.alpharesource.com](http://www.alpharesource.com)
- 2) Click Shop Online
- 3) Click NEW USER to register or enter your log in information



Call Toll Free:  
800-833-3083  
Or  
269-465-5559



Email us:  
[sales@alpharesources.com](mailto:sales@alpharesources.com)



Fax:  
269-465-3629



Mail:  
Alpha Resources  
3090 Johnson Rd PO 199  
Stevensville, MI. 49127

## Terms and Conditions

**Ordering Online:** You may visit our web page at [www.alpharesources.com](http://www.alpharesources.com) to place an order online. This is only available to current customers who have an established account with Alpha Resources. You will be able to issue a purchase order and get current pricing while placing the order.

**Payment Terms:** Alpha Resources has a \$25.00 minimum order requirement. Alpha Resources terms are Net30 with approved credit. New customers will need to submit credit references when they place their first order to be set up on Net30. We also accept Visa, MasterCard or American Express. Any fees for wire transfers must be paid by the transferring customer

**Shipping Method:** FOB shipping point is Stevensville, MI. Alpha Resources is pleased to offer UPS shipping. We will attempt to ship all orders within a period of 5 business days of the date the order is received. If you would like to use any other shipping company, you will need to provide us with your account number.

**Disclaimer:** Alpha Products are intended for use in a laboratory environment. They are not intended for use in home or other applications. It is the customer's responsibility to store, handle, properly use and dispose of all products purchased from Alpha Resources Inc. Our prices are subject to change without notice. Customer should contact Alpha or visit our website to obtain current pricing.

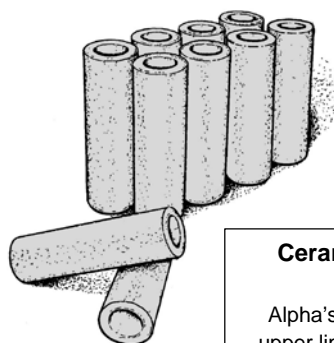
**MSDS:** Material Safety Data Sheets are available on our website or by contacting us directly.

## Combustion Supplies for LECO®

ALPHA®	LECO®	Description	Contents
AR081	501-081	Glass Wool	454g box
AR170	501-170	Rare Earth Copper Oxide	50g bottle
AR171	501-171-HAZ	Anhydron	454g bottle
AR615	501-609-HAZ	Furnace Reagent	100g bottle
AR049	502-049	N-Catalyst	50g bottle
AR2174	502-174-HAZ	Alphasolve II®	500g bottle
AR177	502-177	Quartz Wool	50g package
AR2188	502-188	Alumina Oxide Pellets	200g bottle
AR189	502-189	Copper Sticks	100g bottle
AEB1009	502-226	Silver Vanadate	10g bottle
AR2304	502-304	Copper Sticks	100g bottle
AR2304-500	502-304-500	Copper Sticks	500g Bottle
AR2310	502-310	Steel Wool	454g package
AR351	502-351	Halogen Scrubber	50g bottle
AR2359	502-359	Magnesium Oxide Reagent	200g bottle
AR8379	608-379	Quartz Wool Strips	Ten 15" strips
AR265	763-265	Glass Wool	227g bottle
AR608	769-608-HAZ	Antimony	200g bottle
AR610	769-610-HAZ	F/CL Absorbent Material	225g bottle

## Accelerators and Combustion Aids for LECO®

ALPHA®	LECO®	Description	Contents
AR426	501-426	Combustion Control for Solids	1lb container
AR427	501-427	Combustion Control for Liquids	1lb container
AR2021	501-441	Sucrose	50g bottle
AR636	501-636-HAZ	Vanadium Pentoxide	250g bottle
AR2301	502-301	Tungsten Oxide	125g bottle
AR321	502-321	ALPHACAT®	250g bottle



### AR4961 (614-961-110)

Large volume crucible,  
Package of 10.

### AR7605 (617-605)

Large volume crucible for  
liquid samples, Package of 10

### Ceramic Crucible for FP528, FP628, CHNS628

Alpha's superior design ensures the upper lip of the crucible won't crumble and cause difficult extraction. These large volume crucibles hold up to 6 times more samples before replacement is required.



### Heating Elements

Alpha's elements are virtually identical to those of the competition

**AR6318 (606-318)** Set of 3 elements

**AR6601 (606-601)** Set of 4 elements

**AR5067 (625-067)** Set of 6 elements

**AR6319 (606-319)** Braided Cable

**AR6320 (606-320)** Element Braid Clamp Each

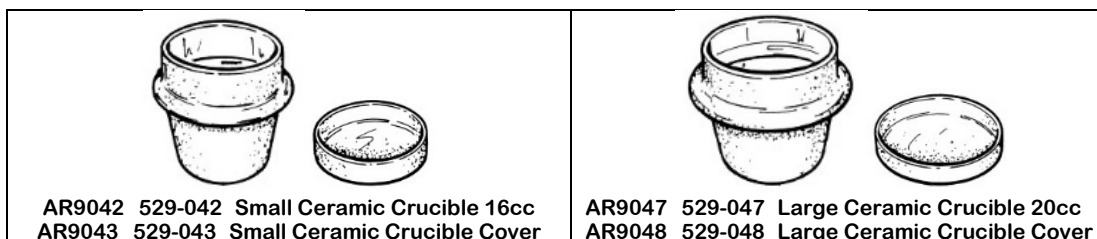
**AR25068 (625-068)** Element Clamp, set of 12

## Ceramic Boats and Boat Liners



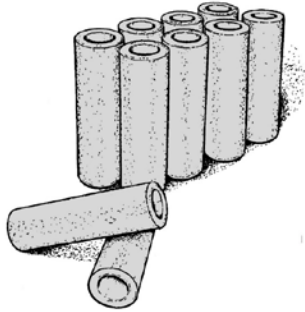
ALPHA®	LECO®	Eltra	Description	Contents
AR9204P	509-204		Ceramic Boats	50 pcs
AR9204-250	509-204-250		Ceramic Boats	250 pcs
AR9204			Ceramic Boats	500 pcs
AR8203	528-203	90153	Ceramic Boats	500 pcs
AR8203-250	528-203-250		Ceramic Boats	250 pcs
AR8203P	528-203		Ceramic Boats	50 pcs
AR8053P	528-053		Ceramic Boats	20 pcs
AR8053		90160	Ceramic Boats	500 pcs
AR2343	502-343		Nickel Boat Liner	100 pcs
AR5282	528-230		Glazed Ceramic Boat	50 pcs
AR4181	614-822-102		Inconel Boat	1 pc

## Crucibles and Lids for TGA Units



ALPHA®	LECO®	Description	Contents
AR9042	529-042	Small Ceramic Crucible 16cc	5 pcs
AR9043	529-043	Small Ceramic Crucible Cover	5 pcs
AR9047	529-047	Large Ceramic Crucible 20cc	5 pcs
AR9048	529-048	Large Ceramic Crucible Cover	5 pcs
AR9047G	529-047	Large Ceramic Crucible Unglazed	5 pcs

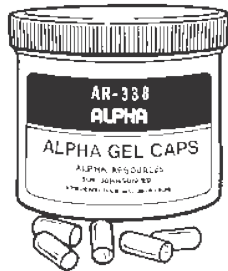
## Crucibles for FP528, FP628, TruSpec Series, FP428, CHN900/932/1000



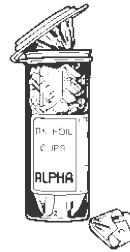
**AR4961 (614-961-110) Reticulated Crucible for Solids/Liquids**  
**AR7605 (617-605) Reticulated Crucible for Liquids**

ALPHA®	LECO®	Description	Contents
AR4961	614-961-110	Reticulated Crucible for Solids/Liquids	10/pkg
AR7605	617-605	Reticulated Crucible for Liquids	10/pkg
AR899	780-899	Honeycomb Ceramic Stop	1/pkg
AR026	529-026	Ceramic Crucible	50/pkg

## Capsules and Caps for Food Protein/Nitrogen Analysis



**AR338 (502-338) Small Gel Caps**  
**AR339 (502-382) Medium Gel Caps**  
**AR810 (502-810) Large Gel Caps**



**AR2186 (502-186-100) Small Tin Foil Cups**  
**AR2186-200 (502-186-200) Small Tin Foil Cups**  
**AR2397 (502-397) Large Tin Foil Cups**  
**AR2397-400 (502-397-400) Large tin Foil Cups**

ALPHA®	LECO®	Sample Type	Description	Contents
AR338	502-338	Solid	Small Gel Caps	400/pkg
AR339	502-382	Solid	Medium Gel Caps	400/pkg
AR810	502-810	Solid	Large Gel Caps	400/pkg
AR2186	502-186-100	Solid	Small Tin Foil Cups	100/pkg
AR2186-200	502-186-200	Solid	Small Tin Foil Cups	200/pkg
AR2397	502-397	Solid	Large Tin Foil Cups	100/pkg
AR2397-400	502-397-400	Solid	Large tin Foil Cups	400/pkg
AR2166	502-040	Solid/Liquid	Small Tin Capsules	100/btl
AR2166F	502-040	Solid/Liquid	Small Tin Capsules – FLAT BOTTOM	10/btl
AR2167	502-167	Solid/Liquid	Medium Tin Capsules	100/btl
AR825	502-825	Solid/Liquid	Large Tin Capsules	50/pkg

## Capsules for Volatile Samples

ALPHA®	LECO®	Description	Contents
AR571	501-571	Copper Capsule	100/pkg
AR570	502-008	Tin Plug	150/pkg



# CHS580 Carbon, Hydrogen and Sulfur Analyzer

Another high quality product at an affordable price brought to you by  
**Alpha Resources Inc.**



• <b>Extremely Reliable</b>	• <b>Extremely Affordable</b>
• <b>Fast simultaneous determination of CHS</b>	• <b>Horizontal furnace up at 1550° C</b>
• <b>Minimal Maintenance Required</b>	• <b>Filters and Reagents Easily Accessed</b>
• <b>Up to four independent IR cells</b>	• <b>Customizable as C, CS, CHS, CH, or SH</b>

The CHS580 by ELTRA provides the speed and accuracy required for today's stringent demands. Carbon, Sulfur and Hydrogen are simultaneously determined in about 90 seconds. The unit comes complete with computer, monitor, printer, balance, supplies to perform ~1000 analysis, installation, training and warranty.

Because of Alpha<sup>®</sup> your old LECO<sup>®</sup> unit may still be worth \$\$\$\$. Call Alpha<sup>®</sup> and see if this is the case for your old unit. Call us toll free and talk to one of our friendly salesmen. Your best option may well be a new Eltra with a supply credit, in any case, only a few minutes is all it will take. (800) 833-3038 Toll Free





# CHS580A (HELIOS) Carbon, Hydrogen and Sulfur Analyzer w/Autoloader

Another high quality product at an affordable price brought to you by Alpha Resources Inc.

“The Helios is doing quite well. We're happy with your company and always refer our friends to you.”

Tony - University



“Our lab is operating the new SO3 analyzer...the guys down there love the instrument.”

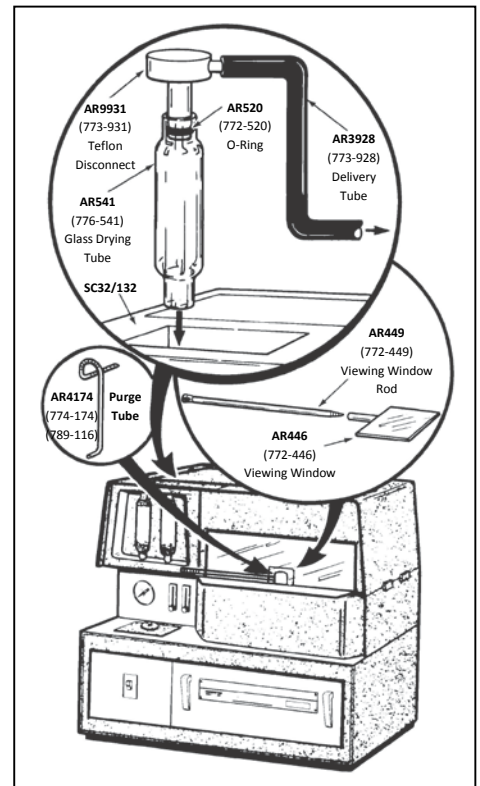
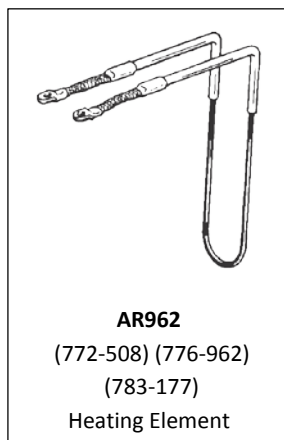
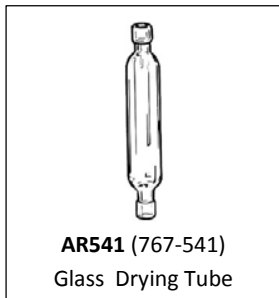
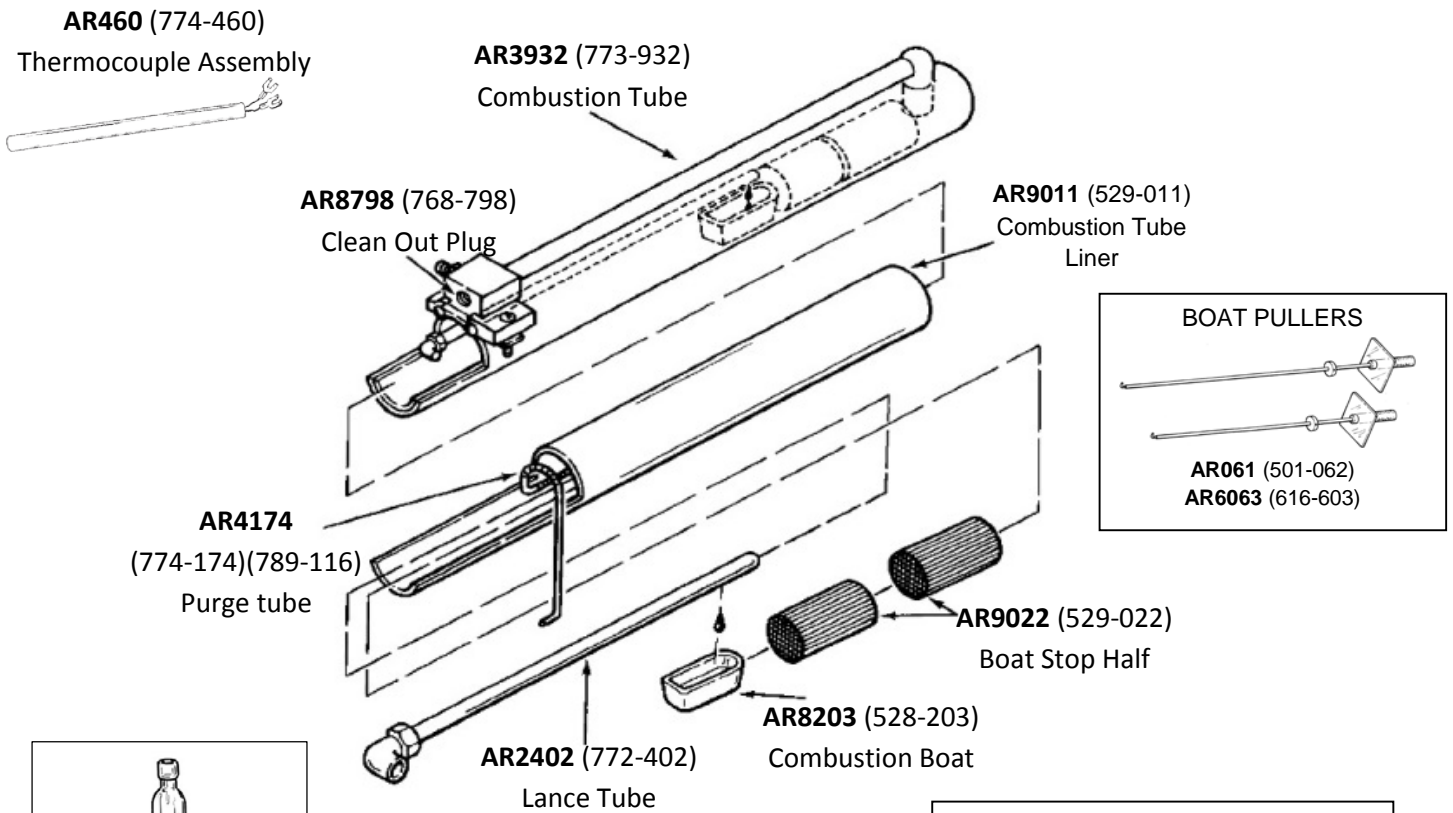
Bob – Mining Industry

• <b>Extremely Reliable</b>	• <b>Extremely Affordable</b>
• <b>Fast simultaneous determination of CHS</b>	• <b>Vertical furnace up at 1550° C</b>
• <b>Autoloader used, 36 and 130 positions</b>	• <b>Filters and Reagents Easily Accessed</b>
• <b>Up to four independent IR cells</b>	• <b>Customizable as C, CS, CHS, CH, or SH</b>

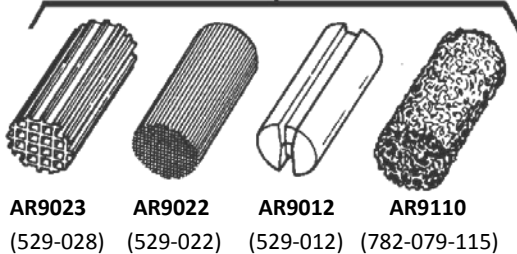
The CHS580A by ELTRA provides the speed and accuracy required for today's stringent demands. Carbon, Sulfur and Hydrogen are simultaneously determined in about 90 seconds. The unit comes complete with computer, monitor, printer balance, supplies to perform ~1000 analysis, installation, training and warranty.

Because of Alpha<sup>®</sup> your old LECO<sup>®</sup> unit may still be worth \$\$\$\$. Call Alpha<sup>®</sup> and see if this is the case for your old unit. Call us toll free and talk to one of our friendly salesmen. Your best option may well be a new Eltra with a supply credit, in any case, only a few minutes is all it will take. (800) 833-3038 Toll Free

**Combustion Tubes, Glassware and Supplies for  
LECO® SC-32/132/232, CR-12, CF-10 IR-Sulfur Analyzer**



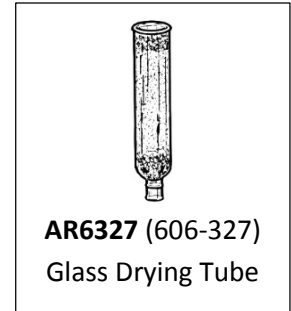
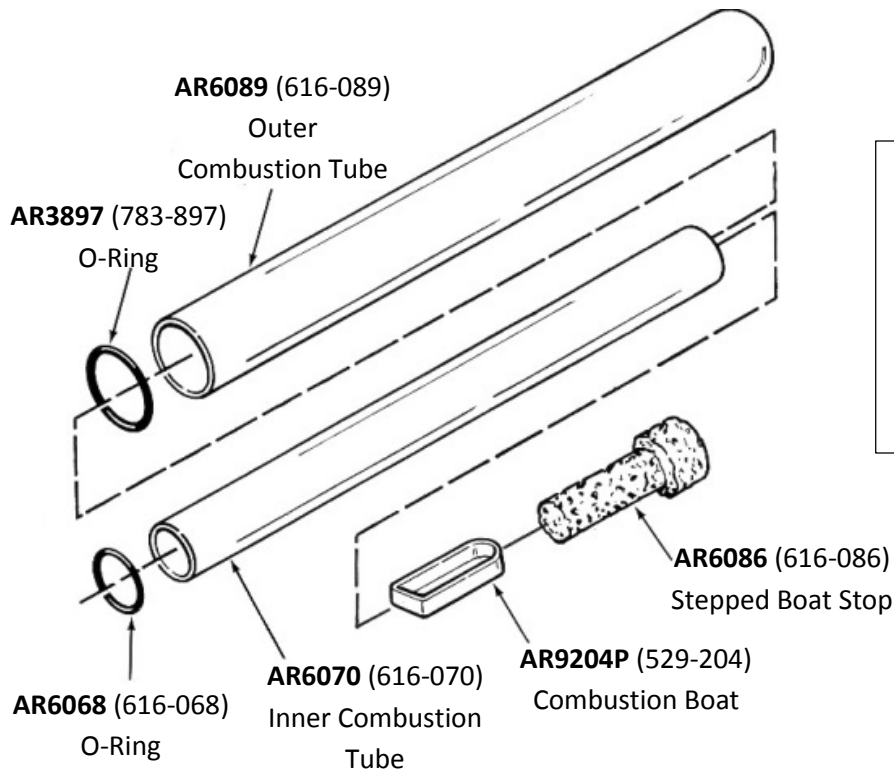
**Boat Stop for all applications**



- AR9023** (529-028)(782-079-110) Coarse Boat Stop
- AR9022** (529-022) Honeycomb Boat Stop
- AR9012** (529-012) Boat Stop Kit. Kit contains two stops
- AR9110** (782-079-115) Porous Boat Stop

## Combustion Tubes, Glassware and Supplies for LECO® IR-Sulfur Analyzer

### LECO® S-144/SC-144 Series



**AR6086** (616-086)  
Stepped Ceramic Boat Stop  
This stop is the "sponge" variety  
and is used with S-144/SC-144

**AR6601** (606-601)  
Set of 4 Elements  
**AR6601-100** (606-601-100)  
Heating Element Kit  
Kit Includes:  
1xAR6601, 2xAR 563,  
3xAR6319, 8xAR6320

Combustion Tubes, Glassware and Supplies for  
LECO® IR-Sulfur Analyzer

LECO® SC-432/CR-412/SC-444 And SC-632 Series



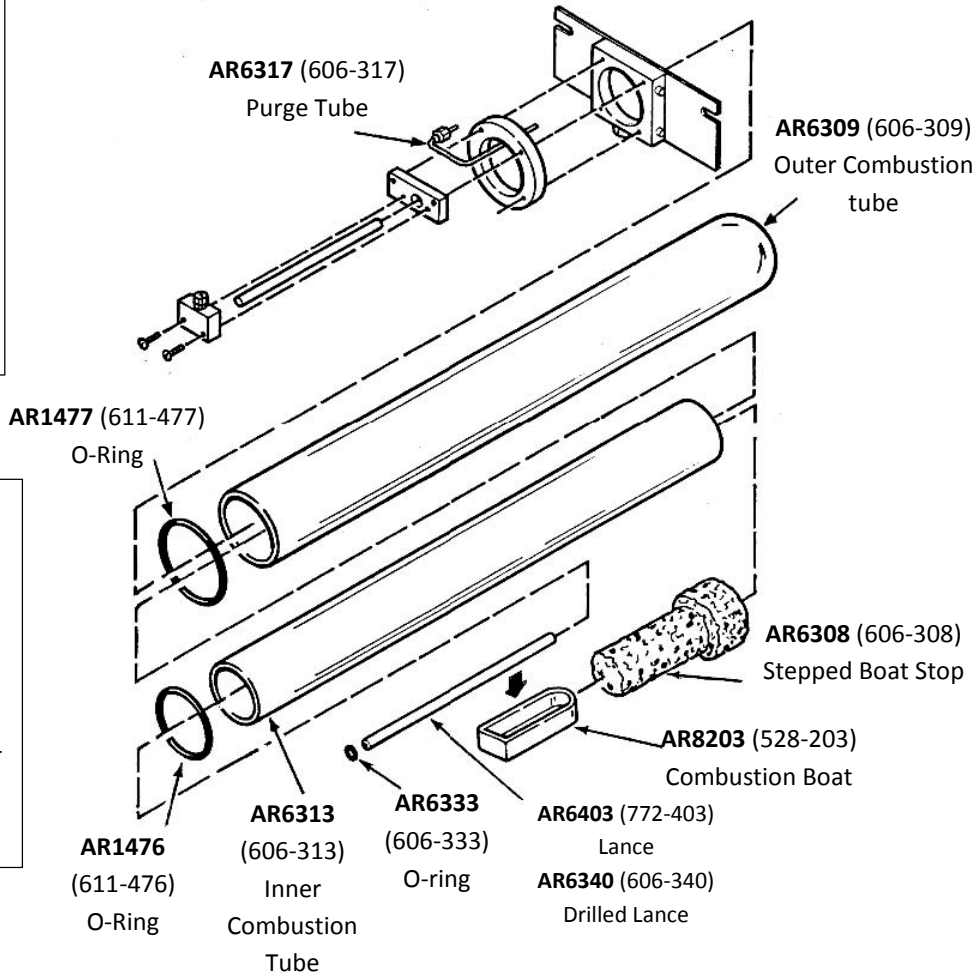
**AR6224** (606-224)  
Thermocouple for  
SC432/CR412/SC444

**AR1358** (625-501-358)  
Thermocouple for  
SC632



**AR6327** (606-327)  
Glass Tube SC432/SC444

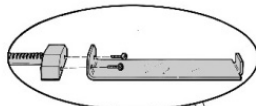
**AR9455** (619-455)  
Glass Tube SC632



Auto Loader, Push Rods and Finger Arms for  
LECO® Models: SC444, SC432 and CR412



**AR6547** (606-547)  
Boat Puller Rod



**AR6550** (606-550)  
Finger Arm

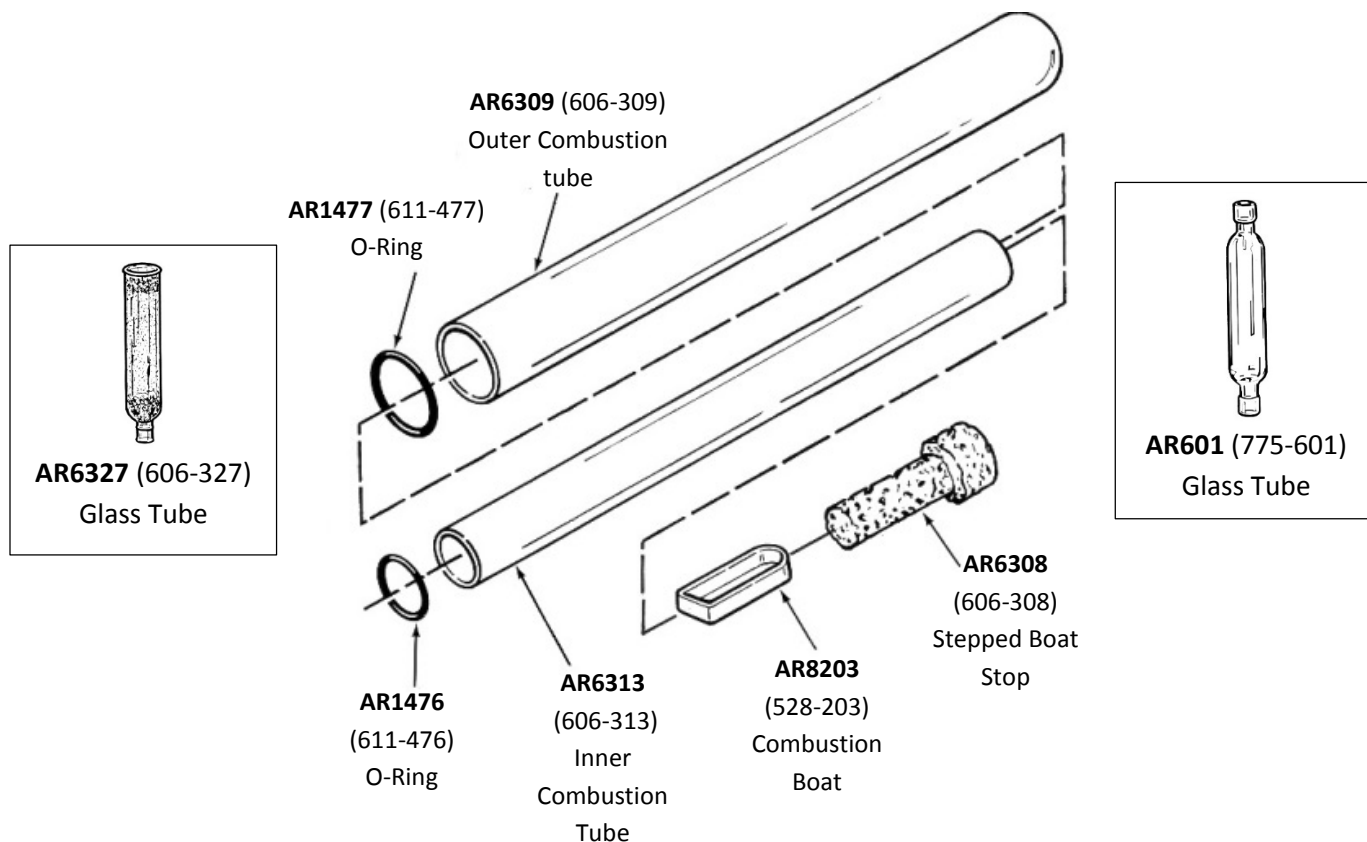


**AR6601** (606-601)  
Set of 4 Elements SC423/CR412/SC444

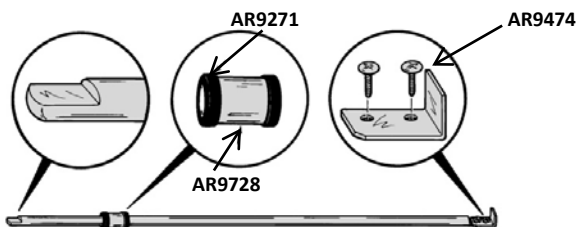
**AR5067** (625-067)  
Set of 6 Elements for SC632

**Combustion Tubes, Glassware and Supplies for LECO®  
Carbon/Nitrogen/Sulfur Analyzers**

**LECO® FP-2000/CNS-2000 Series**



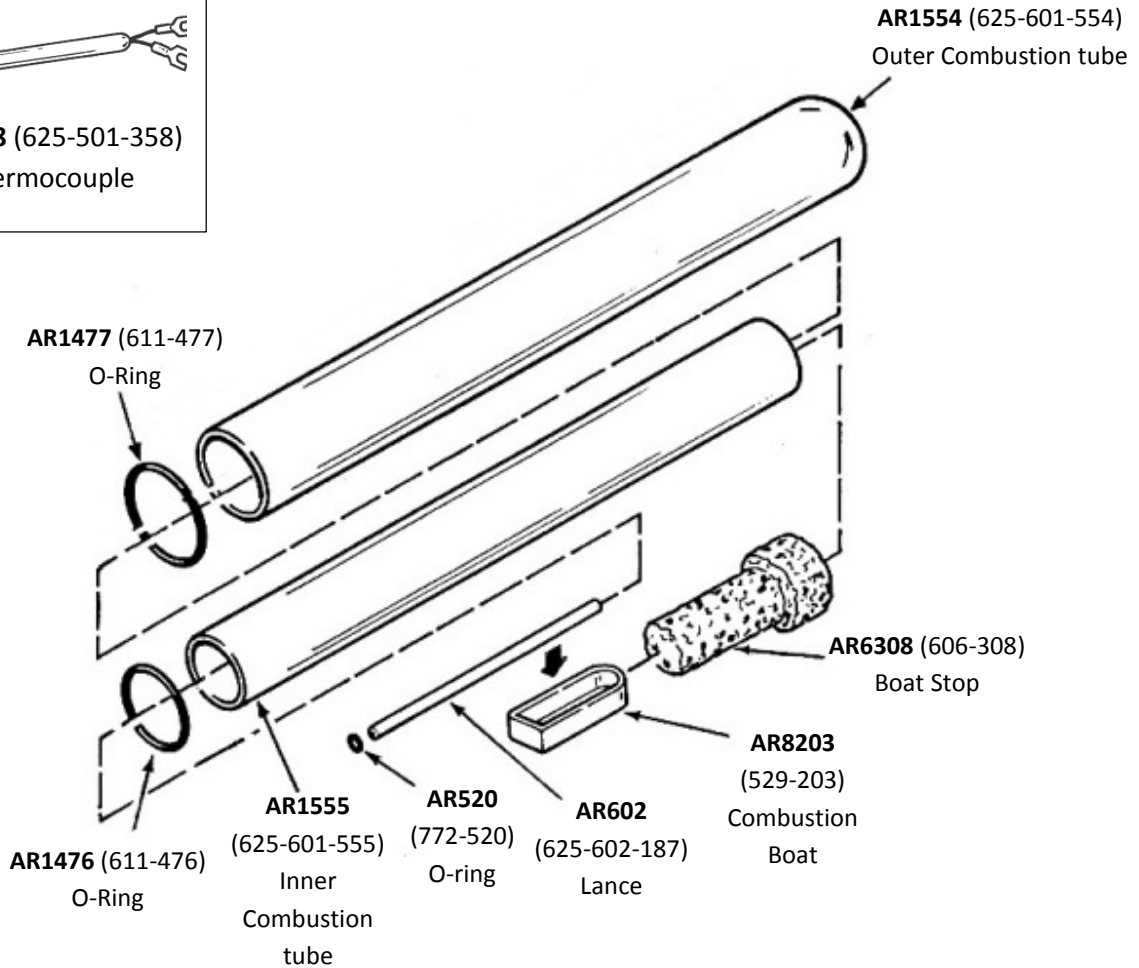
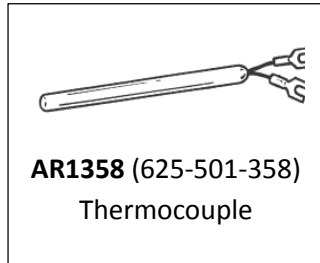
**Auto Loader Push Rods and Fingers**



**AR6601** (606-601)  
Set of 4 Elements  
**AR6601-100** (606-601-100)  
Heating Element Kit  
Kit Includes:  
1xAR6601, 2xAR 563,  
3xAR6319, 8xAR6320

## Combustion Tubes, Glassware and Supplies for LECO® Nitrogen/Protein Analyzer

### LECO® TruMac Series



**AR6327**  
(606-327)



**AR7548**  
(617-548)



**AR9268**  
(619-268)



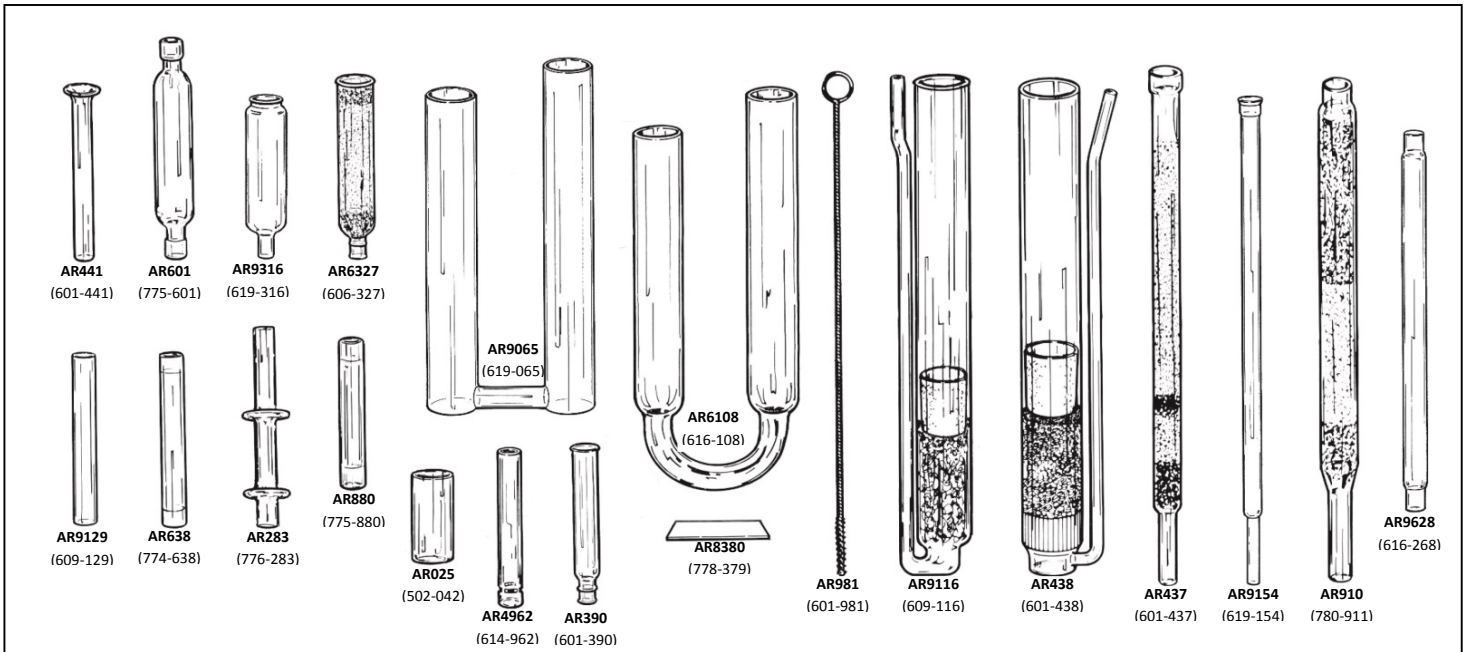
**AR9154**  
(619-154)

Glass Reagent/Reduction Tubes

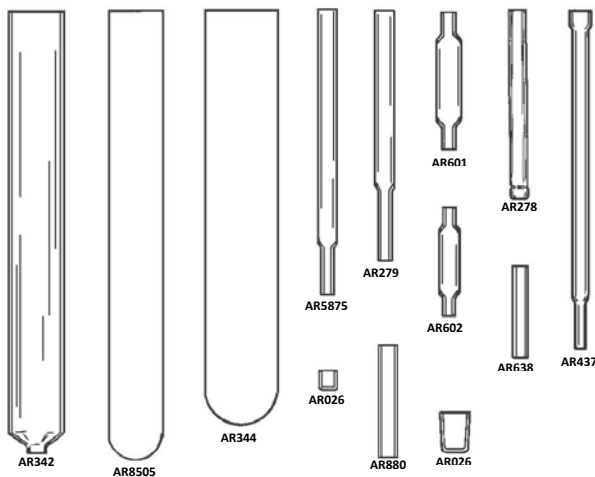


**AR5067** (625-067) Set of 6 Heating Elements  
**AR25068** (625-068) Heating Element Clamp  
Set of 12

TruSpec, FP328/428/528/628, FP2000, CNS2000  
Nitrogen/Protein Analyzer

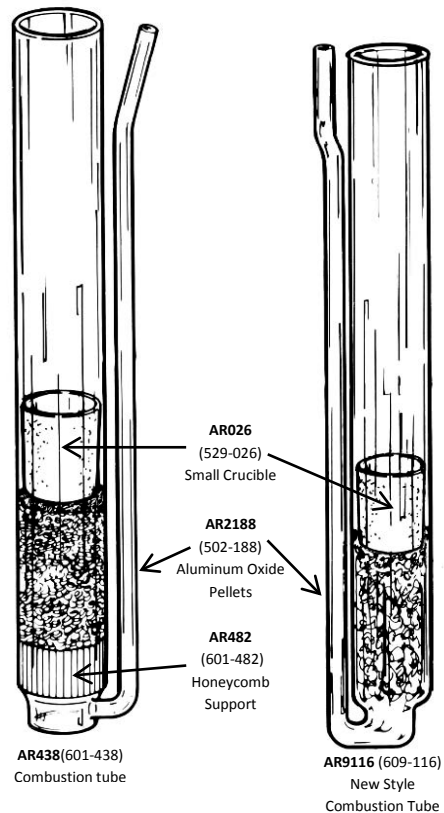


LECO® CHN/O/S, MODELS 900/932/1000



ALPHA NO.	OEM	DESCRIPTION	QTY
AR1054	(501-045)	Silica Crucible	1
AR026	(529-026)	Crucible, CHN	50/PK
AR437	(601-437)	Quartz Catalyst tube	1
AR5875	(605-875)	Furnace Reduction/Oxidation Tube	1
AR342	(608-342)	Combustion Tube, Quartz Liner	1
AR344	(608-344)	Combustion Tube, Ceramic Outer	1
AR8505	(608-505)	Combustion Tube, Ceramic Liner	1
AR030	(771-030)	Bubble Filter Tube, 102mm	1
AR638	(774-638)	Quick Disconnect Tube, 152mm	1
AR601	(775-601)	Bubble Tube, Left, 152mm	1
AR880	(775-880)	Quick Disconnect Tube, 102mm	1
AR279	(776-279)	Reduction/Oxidation Tube Incoming	1
AR278	(785-278)	Lance, CHN1000	1

Combustion Tube Packing Supplies for FP328-528



## Quartz ware and Glassware for LECO® Analyzers

### LECO® SC32/132, SC432, SC144, SC444, CR412, SC632 Series

ALPHA®	LECO®	Description
AR541	767-541	Glass Reagent Tube, SC32/132
AR6327	606-327	Glass Reagent Tube, SC144, SC443, SC444, CR412
AR9455	619-455	Glass Reagent Tube SC632

### LECO® FP428/528/628, TRUSPEC, CHN628 Series

ALPHA®	LECO®	Description
AR441	601-441	Quartz Lance Tube FP428
AR601	775-601	Glass Bubble Tube FP428, FP528
AR390	601-390	Glass Tube FP428/528/628
AR4962	614-962	Lance Tube FP528
AR6146	616-146	Lance Tube, 628, TruSpec
AR7548	617-548	Reagent Tube 628, TruSpec
AR9154	619-154	Catalyst Heater Tube, 628, TruSpec
AR9268	619-268	High Sensitivity Reagent Tube 628, TruSpec
AR9316	619-316	Extended Use Glass Filter Tube 628, TruSpec
AR1026	622-001-026	Filter Tube 628 Series
AR030	771-030	Bubble Tube, FP528
AR899	780-899	Honeycomb Crucible Stop, FP428/528/628, TruSpec

### LECO® FP/CNS2000, TRUMAC Series

ALPHA®	LECO®	Description
AR601	775-601	Glass Reagent Tube 2000 Series
AR7548	617-548	Incoming Helium Scrubber Tube
AR9154	619-154	Catalyst Heater Tube
AR9268	619-268	Aliquot Dose Scrubber Tube
AR9455	619-455	Furnace Filter Tube
AR602	625-602-187	Lance Tube

“We are very pleased with the quality and pricing that we have received from Alpha Resources. Any time I call with a question the staff is very courteous and helpful. Keep up the great service.”

Delwin – Steel Industry



## ELEMENTAR NITROGEN ANALYZERS

Alpha carries a complete line of consumables for your Elementar Analyzers at 10-40% less than our competitors. From combustion tubes to copper wires to tungsten metal to reduction tubes. Please contact us or visit our website for a complete listing.

**\*See back of this catalogue for complete cross reference\***



**AR2216/4** (34 001 339/4)  
U-Tube



**AR01030** (25.00-1030)  
Combustion tube VarioMax



**AR01048** (25.00-1048)  
Post Combustion Tube VarioMax



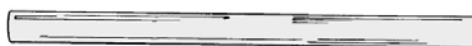
**AR11032/4** (12.01-1032/4) Distance Ring



**AR00029** (25.00-0029)  
Gripper Arm with O-Rings



**AR2253/4** (03 002 253/3)  
Quartz Reduction Tube, Copper



**AR01040** (03 002 49)  
Stainless Steel Post Combustion Tube



**AR01020** (12.00-1006/4)  
Stainless Steel Combustion Tube



**AR02530**  
(12.00.0040)  
Tungsten  
Metal 470g  
**AR02530B**  
Tungsten  
Metal 30lbs

### Supplies for Elementar

- AR01029** (03 679 905) Copper Wires 250g
- AR189** (05 000 699) Copper Sticks 100g
- AR171** (03 679 901) Magnesium Perchlorate, 454g
- AR00087** (05 000 087) Ash Finger, Each
- AR1170/4** (11 001 170/4) Ash Finger, Each
- AR11364** (11 02 1036/4) Ash Finger, Each
- AR01189** (15 00 1189) Ash Finger, Each
- AR10874** (12 00 1087/4) Ash Finger Stainless Steel, Each
- AR049** (03 002 262) Platinum Catalyst, 30g

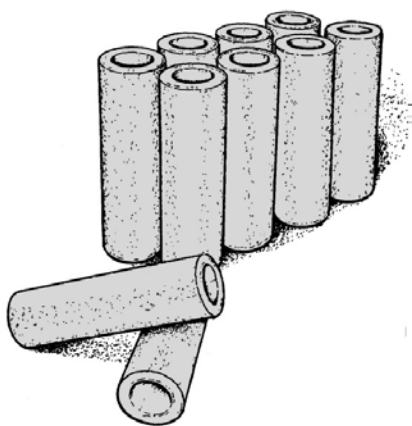
- AR02530S** (12.01-1008/4)  
Spacers for Tungsten 25pcs
- AR02530S-200**(12.01-1008/4)  
Spacers for Tungsten 200 pcs

**Much more, please contact  
Alpha or check cross  
reference at the back of this  
catalogue**

## DUMATHERM AND VELP NITROGEN/FOOD PROTEIN ANALYZERS

Alpha carries all catalyst, copper, reagents, glassware and quartz combustion tubes.

ALPHA®	DUMATHERM #	VELP #	Description	Quantity
AR140007	14-0007		Copper Sticks	475g
AR140246	14-0246	A00000240	High Capacity Copper Sticks	475g
AR140011	14-0011	A00000159	HT Catalyst	100g
AR140014	14-0014	A00000160	LT Catalyst	50g
AR140018	14-0018	A00000162	Quartz Combustion/Reaction Tubes	Each
AR140019	14-0019	10005506	Lower Combustion Tube Gasket	Each
AR140020	14-0020	10003529	Upper Combustion Tube Gasket	Each
AR140026	14-0026	A00000158	Pre-Packed Combustion Tube	Each
AR140226		A00000226	Pre-Packed Reduction Tube	Each
AR5000	14-0015	A00000198	Ceramic Ash Collector Insert	10/pkg
AR0000162		A00000162	New Style Velp Combustion Tube	Each
AR171	7713	A00000225	Magnesium Perchlorate	454g
AR2092		A00000149	EDTA	50g
AR2186-200	14-0017	A00000153	Tin Foil Cups	200/pkg
AR9721	14-0012	A00000154	Quartz Wool, Extra Fine	1oz



Save time and money with Alpha's porous ceramic ash insert for your Dumatherm and Velp Analyzers. **AR5000** Porous Reticulated Crucible 10/pkg

Alpha's Porous Reticulated Crucible (shown left) for Dumatherm and Velp analyzers are easier to remove and will last longer than fragile quartz inserts.

**AR140026/A00000158 Pre-Packed Combustion Tube**

for Dumatherm and Velp

Alpha hand packs each tube to be sure the correct amount of quartz wool and catalysts are ready to go. Simply remove packaging then insert into furnace, simple as that.

**Comes packed with measured amount of quartz wool, LT and HT catalyst.**

**\*Alpha Resources is proud to be ISO 17025 and Guide 34 Accredited\***

**\*Standards are typical. Please contact Alpha Resources or visit our website for current values\***

## ORGANIC FOOD (GRAIN) ANALYTICAL STANDARDS

	AR 2016	AR 2017	AR 2018	AR 2019	AR 2020	AR 2022	AR 2025	AR 2026	AR 2027	AR 2028
	Soy Bean	Corn Gluten	Alfalfa	Wheat Flour	Rye Flour	Soy Protein	Corn Meal	Oat Meal	Barley Flour	Rice Flour
<b>LECO® Part Number</b>	501-561	502-272	502-273	502-274	502-275	Isolate	501-563	502-276	502-277	502-278
<b>Dried Basis Values</b>										
<b>Feed Analysis</b>										
<b>% Fat</b>	2.11	0.78	4.3	0.96	1.18	0.5	4.1	4.24	2.04	0.34
<b>% Crude Fiber</b>	3.79	3.7	25	2.6	2.8	0.34	1.89	7.5	4.3	0.8
<b>% Carbon</b>	(45.24)	51.54	N/A	44.35	44.6	N/A	(45.52)	45.51	(43.51)	45.2
<b>% Hydrogen</b>	(5.73)	6.67	N/A	6.22	6.21	N/A	(6.3)	6.4	(6.00)	6.4
<b>% Nitrogen</b>	8.40	12.02	N/A	2.08	1.91	N/A	1.20	2	1.9	1.5
<b>As Bottled Values</b>										
<b>Ultimate Analysis</b>										
<b>% Carbon</b>	(45.24)	45.27	N/A	38.86	39.5	N/A	(45.52)	41.59	(43.51)	40.9
<b>% Hydrogen</b>	(5.73)	5.98	N/A	5.45	5.5	N/A	(6.3)	5.85	(6.00)	5.75
<b>% Nitrogen</b>	(7.89)	10.38	3.01	1.81	1.75	13.54	(1.15)	1.9	N/A	1.38
<b>% Sulfur</b>	(0.42)	0.85	0.27	0.13	0.13	0.58	0.10	0.16	0.12	0.12
<b>% Moisture</b>	(6.13)	10.42	N/A	12.38	11.41	5.21	(7.2)	8.63	6.3	9.5

NOTE: "Reference Only" values are in parentheses

## CHEMICAL SETUP STANDARDS

<b>ALPHA®</b>	Description	<b>% C</b>	<b>% H</b>	<b>% N</b>	<b>% S</b>
AR1053	Acetanilide	71.09	6.71	10.36	11.84
AR2092	EDTA	41.09	5.52	9.59	43.79
AR2021	Sucrose	42.10	6.48		51.41
AEB2004	Benzoic Acid Powder	68.85	4.95		26.20
AEB2013	Stearic Acid	76.00	12.75		11.25
AEB2034	Dinitrobenzoic Acid	39.64	1.90	13.20	45.25
AEB2030	Caffeine	49.48	5.19	28.85	16.48
AEB2035	Cystine	29.99	5.03	11.66	26.63
AEB2037	Sulfamethazine	51.78	5.07	20.12	11.49

"We like working with Alpha. You have good products at fair pricing....we especially appreciate the support and open communications that you provide"

Mike – Coal Industry

\*Alpha Resources is proud to be ISO 17025 and Guide 34 Accredited\*

\*Standards are typical. Please contact Alpha Resources or visit our website for current values\*

## The "Ultimates"

(50 Grams)

	MET COKE	MET COKE	COAL	COAL	COAL	COAL	COAL	COAL	COAL	ANTHRACITE
	<u>AR-2771</u>	<u>AR-2772</u>	<u>AR-2773</u>	<u>AR-2775</u>	<u>AR-2776</u>	<u>AR-2778</u>	<u>AR-2780</u>	<u>AR-2781</u>	<u>AR-2782</u>	<u>AR-2783</u>
% Ash	8.04	9.57	7.33	6.60	20.57	28.67	22.86	17.98	12.03	17.58
% Vol.	0.85	0.42	42.96	42.77	23.01	20.14	25.99	26.33	38.22	6.08
% Fixed C	91.11	90.01	49.71	50.63	56.42	51.19	51.15	55.69	49.75	76.34
BTU	13123	12878	11195	11644	12034	10498	11255	11949	11333	11990
% Sulfur	0.6	0.76	0.56	0.32	0.84	0.68	3.42	1.91	5.06	0.55
% Carbon	90.33	87.26	66.91	68.67	68.65	62.34	62.99	67.68	64.22	77.07
% Hydrogen	<0.5	(0.29)	4.38	4.55	3.94	3.31	3.81	3.97	4.49	1.88
% Nitrogen	1.17	1.13	1.00	1.02	1.18	1.01	1.11	1.29	1.31	1.02
% Chlorine	0.05	0.02	<0.01	<0.01	0.14	0.1	0.16	0.12	NA	0.01
% Oxygen	<0.5	0.99	19.82	18.84	4.82	4.03	NA	7.17	12.89	1.9

### Sulfur Forms

% Pyritic	0.02	<0.01	0.03	0.01	0.04	0.10	1.43	0.34	0.76	0.07
% Sulfate	<0.01	0.76	0.13	0.01	0.29	0.02	0.91	0.82	1.95	0.43
% Organic	0.58	<0.01	0.40	0.30	0.51	0.56	1.08	0.75	2.35	0.05

### Mineral Analysis

Phosphorus Pentoxide	0.25	0.34	1.29	0.74	0.13	0.19	0.20	0.44	0.12	0.16
Silica	46.59	51.60	27.75	32.41	61.14	43.71	49.49	51.53	40.6	56.79
Ferric Oxide	15.97	11.74	5.63	4.47	4.86	24.13	18.42	11.27	33.43	5.2
Alumina	26.63	28.51	14.64	15.41	26.80	17.10	24.58	25.96	17.08	29.58
Titania	1.42	1.54	1.17	1.24	1.49	1.18	1.25	1.23	0.87	2.33
Sulfur Trioxide	1.99	0.84	17.82	10.58	0.53	3.40	1.06	2.58	2.09	0.37
Potassium Oxide	1.74	1.91	0.26	0.36	2.96	1.46	2.62	2.55	2.08	3.06
Sodium Oxide	0.65	0.49	0.47	1.85	0.27	0.24	0.18	0.36	0.21	0.41
Calcium Oxide	3.00	1.83	24.02	24.18	0.58	5.85	1.15	2.54	2.11	0.6
Magnesium Oxide	1.19	0.90	5.99	6.62	1.13	1.29	0.87	0.97	0.93	0.83
Strontium Oxide	0.11	0.11	0.42	0.41	0.04	0.05	0.05	0.09	0.01	0.03
Barium Oxide	0.17	0.16	0.60	0.68	0.03	0.06	0.09	<0.01	0.06	0.14
Manganese Oxide	0.10	0.10	0.01	0.03	0.02	0.23	0.03	0.02	0.02	0.03
Undetermined	0.29	<0.01	-	1.02	0.02	1.01	0.00	0.46	0.39	0.47

**CAN'T FIND WHAT YOU ARE LOOKING FOR? Call Alpha or visit [www.alpharesources.com](http://www.alpharesources.com) for more information**

**\*Alpha Resources is proud to be ISO 17025 and Guide 34 Accredited\***

**\*Standards are typical. Please contact Alpha Resources or visit our website for current values\***

## Petroleum Cokes

(50 Grams)

Part #	% SULFUR	% ASH	% VOL. MATTER	BTU	FIXED C	% C	% H
AR-742B (GR PET COKE)	0.89	0.09	9.67	NA	NA	93.81	3.76
AR-744 (CAL PET COKE)	2.53	0.33	0.45	13,989	99.23	95.58	(0.23)
AR-745 (GR PET COKE)	0.55	(0.07)	7.08	14,934	(92.85)	95.60	1.90
AR-747 (GR PET COKE)	4.03	0.49	11.87	15,443	87.64	89.70	3.65
AR-756 (GR PET COKE)	5.27	0.92	6.52	14,494	NA	89.60	1.66

	%N	% Ni	% Fe	% Va	% Ca	% Si
AR-742B (GR PET COKE)	1.27	0.0068	0.0129	0.0022	0.0037	0.0081
AR-744 (CAL PET COKE)	0.92	0.0164	0.0917	0.0239	0.0079	0.0153
AR-745 (GR PET COKE)	0.97	0.0094	0.0132	0.0051	0.0035	0.0055
AR-747 (GR PET COKE)	1.41	0.0163	0.0185	(0.1165)	0.0251	(0.0284)
AR-756 (GR PET COKE)	1.90	0.029	0.0317	0.1675	0.0105	0.0386

## Prox Coal And Coke Standards

Part #	% SULFUR	% ASH	% VOL MATTER	BTU	FIXED C
AR-1720	0.32	6.60	42.77	11644	50.63
AR-1721	0.56	7.33	42.96	11195	49.71
AR-1722	0.84	20.57	23.01	12034	56.42
AR-1723	1.20	6.67	42.29	12937	51.04
AR-1724	1.52	4.38	37.21	14239	58.40
AR-1726	1.91	17.98	26.33	11949	55.69
AR-1727	2.34	21.38	28.07	11645	50.51
AR-1728	2.95	7.69	39.35	12357	52.96
AR-1729	3.42	22.88	25.98	11250	51.14
AR1730	5.06	12.03	38.22	12882	49.75
AR-1731	5.51	45.14	20.00	7798	34.86
AR-1732					
AR-1733 Anthracite	0.55	17.58	6.08	11990	76.34
AR-1933 LIGNITE	0.61	7.56	36.31*	13181*	56.13*
AR-732 (MET COKE)	0.59	7.84	0.63	13168	91.53
AR-733 (MET COKE)	0.60	8.04	0.85	13123	96.37
AR-734 (MET COKE)	0.76	9.57	0.42	12878	90.01

### Custom Blending from Alpha

**Need a special standard blended to your specifications? Alpha will custom blend any special ranges of the listed reference material upon request. Call Alpha to discuss your specific needs.**

\*Alpha Resources is proud to be ISO 17025 and Guide 34 Accredited\*

\*Standards are typical. Please contact Alpha Resources or visit our website for current values\*

## Ultra Low Sulfur Coal

Alpha No.	% SULFUR
AR-1681 (Blank)	0.00
AR-1682	0.022
AR-1683	0.049
AR-1684	0.101
AR-1685	0.143

## Sulfur Only Coal & Coke Standards

(50 Grams)

Alpha No.	% SULFUR
AR-1700	0.38
AR-1701	0.45
AR-1702	0.72
AR-1703	0.83
AR-1704	1.09
AR-1705	1.43
AR-1706	2.03
AR-1707	2.37
AR-1708	2.83
AR-1709	3.60
AR-1710	4.15
AR-1711	5.59
AR-1712	6.24
AR-1713 Lignite	1.18
AR-719 (MET COKE)	0.61
AR-720 (MET COKE)	1.21
AR-723 (MET COKE)	0.47
AR-2712 (CAL PET COKE)	0.43
AR-2713 (GR PET COKE)	0.54
AR-2714 (GR PET COKE)	0.906
AR-2715 (GR PET COKE)	1.20
AR-2716 (GR PET COKE)	2.47
AR-2717 (GR PET COKE)	2.21
AR-2719 (CAL PET COKE)	2.58
AR-2720 (GR PET COKE)	4.34
AR-2721 (GR PET COKE)	5.56
AR-2723 (GR PET COKE)	5.16

\*Alpha Resources is proud to be ISO 17025 and Guide 34 Accredited\*

\*Standards are typical. Please contact Alpha Resources or visit our website for current values\*

## Ultra Low Kerosene

(100 mL minimum) 4oz btl

Alpha No.	Sulfur
AR-6201	0.0010% Sulfur
AR-6207	0.0020% Sulfur
AR-6208	0.0030% Sulfur
AR-6209	0.0040% Sulfur
AR-6202	0.0051% Sulfur
AR-6210	0.00635% Sulfur
AR-6211	0.00726% Sulfur
AR-6212	0.00832% Sulfur
AR-6213	0.00937% Sulfur
AR-6203	0.0103% Sulfur
AR-6204	0.0152% Sulfur
AR-6205	0.0198% Sulfur
AR-6206	0.0407% Sulfur

## Stabilized Crude Standards

(100 mL minimum) 4oz btl

Alpha No.	Sulfur
AR-2941	0.0102% Sulfur
AR-2942	0.0205% Sulfur
AR-2943	0.0313% Sulfur
AR-2944	0.0415% Sulfur
AR-2041	0.053% Sulfur
AR-2945	0.0619% Sulfur
AR-2946	0.0720% Sulfur
AR-2947	0.0824% Sulfur
AR-2948	0.0925% Sulfur
AR-2042	0.105% Sulfur
AR-2043	0.205% Sulfur
AR-2044	0.41% Sulfur
AR-2045	0.619% Sulfur
AR-2046	0.816% Sulfur
AR-2047	0.97% Sulfur
AR-2048	2.01% Sulfur
AR-2049	3.20% Sulfur
AR-2050	4.24% Sulfur
AR-2051	5.56% Sulfur

## Residual Oil

(100 mL minimum) 4oz btl

Alpha No.	Sulfur
AR-2891	0.1065% Sulfur
AR-2811	0.1503% Sulfur
AR-2892	0.207% Sulfur
AR-2893	0.303% Sulfur
AR-2809	0.346% Sulfur
AR-2894	0.42% Sulfur
AR-2895	0.512% Sulfur
AR-2812	0.6113% Sulfur
AR-2896	0.70% Sulfur
AR-2813	0.82% Sulfur
AR-2897	0.898% Sulfur
AR-2814	1.00% Sulfur
AR-2818	1.49% Sulfur
AR-2815	2.03% Sulfur
AR-2819	2.51% Sulfur
AR-2816	2.92% Sulfur
AR-2898	3.45% Sulfur
AR-2817	3.94% Sulfur
AR-2899	4.52% Sulfur

## Kerosene & #1 Diesel Oil

(100 mL minimum) 4oz btl

Alpha No.	Sulfur
AR-2849	<0.0001% Sulfur
AR-2841	0.0125% Sulfur
AR-2951	0.0211% Sulfur
AR-2842	0.029% Sulfur
AR-2952	0.0420% Sulfur
AR-2843	0.049% Sulfur
AR-2953	0.062% Sulfur
AR-2954	0.071% Sulfur
AR-2955	0.0801% Sulfur
AR-2956	0.0898% Sulfur
AR-2844	0.1313% Sulfur
AR-2845	0.1968% Sulfur
AR-2846	0.30% Sulfur
AR-2847	0.395% Sulfur
AR-2848	0.505% Sulfur

\*Alpha Resources is proud to be ISO 17025 and Guide 34 Accredited\*

\*Standards are typical. Please contact Alpha Resources or visit our website for current values\*

## J P Fuels

(100 mL minimum) 4oz btl

Alpha	Sulfur
AR-2921	0.0051% Sulfur
AR-2922	0.0111% Sulfur
AR-2923	0.0198% Sulfur
AR-2924	0.0300% Sulfur
AR-2925	0.0433% Sulfur
AR-2926	0.0526% Sulfur
AR-2927	0.062% Sulfur
AR-2928	0.093% Sulfur

## High Viscosity Residual Oil

(100 mL minimum) 4oz btl

Alpha	Sulfur
AR-3181	0.292% Sulfur
AR-3182	0.9037% Sulfur
AR-3183	3.46% Sulfur

## Nitrogen in Crude Oil Standards

(100 mL minimum) 4oz btl

Alpha No.	Nitrogen
AR-3032	67 ppm
AR-3033	749 ppm
AR-3034	1641 ppm

## Ultimate Residual Fuel Oil

(100 mL minimum) 4oz btl

% Sulfur	2.08
% Carbon	85.54
% Hydrogen	12.37
% Nitrogen	0.16
Gross BTU	18,913
Iron	16.4
Nickel	4.6 µg/g
Silicon	4 µg/g*
Copper	<1 µg/g
Sodium	5 µg/g*

## Waste Oil

(50 mL minimum) 2oz btl

Alpha No.	Chlorine	Chromium	Cadmium	Lead
AR-3161	506 µg/g	5.07 µg/g	2.10 µg/g	49.8 µg/g
AR-3162	1013 µg/g	9.8 µg/g	5.1 µg/g	98.7 µg/g
AR-3163	1898 µg/g	20.7 µg/g	13.0 µg/g	210.2 µg/g

## Chlorine in Paraffin Oil

(100 mL minimum) 4oz btl

Alpha No.	Conc.
AR-2004	0.0009%
AR-2005	0.012%
AR-2006	0.051%
AR-2007	0.122%
AR-2008	0.200%
AR-2009	0.336%
AR-2010	0.5605%
AR-2011	1.17%
AR-2012	1.95%
AR-2013	2.99%
AR-2014	4.01%
AR-2015	5.04%

## Lube Oil

(100 mL minimum) 4oz btl

Alpha No.	Sulfur
AR-2838	0.0100% Sulfur
AR-2931	0.0207% Sulfur
AR-2932	0.0524% Sulfur
AR-2831	0.073% Sulfur
AR-2933	0.0805% Sulfur
AR-2934	0.1008% Sulfur
AR-2832	0.230 Sulfur
AR-2935	0.3537% Sulfur
AR-2833	0.511% Sulfur
AR-2834	0.753% Sulfur
AR-2936	0.8967% Sulfur
AR-2835	1.00% Sulfur
AR-2937	1.5113% Sulfur
AR-2836	2.00% Sulfur
AR-2938	2.5162% Sulfur
AR-2839	3.020% Sulfur
AR-2939	3.500% Sulfur
AR-2837	4.07% Sulfur
AR-2857	5.010% Sulfur
AR-2858	6.043 Sulfur

## Waste Oil

(50 mL minimum) 2oz btl

Alpha No.	Arsenic
AR-3171	2.0 µg/g
AR-3172	4.2 µg/g
AR-3173	10.5 µg/g

## JP-8 Jet Fuel

Alpha No.	Total Acid (mg KOH/g)	Aromatics (vol%)	Olefins (vol%)	Total Sulfur (wt%)	Mercaptan Sulfur (wt%)	API Gravity (60° F)
	0.0025	17.70	2.45	0.178	0.0019	41.85
AR-5201	Freeze Pt (°F)	BTU (lb)	Smoke Pt	Flash Pt D93	Flash Pt D56	Viscosity (cSt)
	-42.75	18536	21 (mm)	124.1 °F	117.4 °F	6.14 @ -4°F



\*Alpha Resources is proud to be ISO 17025 and Guide 34 Accredited\*

\*Standards are typical. Please contact Alpha Resources or visit our website for current values\*

## Sulfur & Chlorine in Lube Oil

Heavy Concentrations (100 mL minimum) 4oz btl

Alpha No.	% Sulfur	% Chlorine
AR-3501	7.00	4.00
AR-3502	5.00	2.00
AR-3503	4.00	7.00
AR-3504	2.00	5.00
AR-3505	1.00	0.50
AR-3506	0.50	1.00
AR-3507	<0.0001	<0.0001

## Bromine in Isooctane

(100 mL minimum) 4oz btl

Alpha No.	% Bromine	g/Liter Bromine	g/Gallon Bromine
AR-2091	0.0000	0.0000	0.0000
AR-2093	0.0001	0.0007	0.0026
AR-2094	0.0003	0.0021	0.0078
AR-2095	0.0005	0.0035	0.0131

## #2 Diesel Oil

(100 mL minimum) 4oz btl

Alpha No.	Sulfur
AR-2821	0.148% Sulfur
AR-2961	0.2060% Sulfur
AR-2822	0.305% sulfur
AR-2962	0.40% Sulfur
AR-2823	0.53% Sulfur
AR-2963	0.61% Sulfur
AR-2824	0.694% Sulfur
AR-2964	0.808% Sulfur
AR-2965	0.8530% Sulfur
AR-2825	1.02% Sulfur
AR-2826	1.50% Sulfur
AR-2827	1.867% Sulfur
AR-2828	2.53% Sulfur
AR-2829	2.95% Sulfur

## Ultra Low #2 Diesel Oil

(100 mL minimum) 4oz btl

Alpha	Sulfur
AR-2868	<0.0001% Sulfur
AR-2882	0.00049% Sulfur
AR-2881	0.0010% Sulfur
AR-2869	0.0021% Sulfur
AR-2879	0.0025% Sulfur
AR-2878	0.0049% Sulfur
AR-2871	0.0102% Sulfur
AR-2872	0.0207% Sulfur
AR-2873	0.030% Sulfur
AR-2874	0.0395% Sulfur
AR-2875	0.0507% Sulfur
AR-2865	0.0600% Sulfur
AR-2876	0.069% Sulfur
AR-2866	0.0786% Sulfur
AR-2867	0.089% Sulfur
AR-2877	0.1055% Sulfur

## Sulfur in Isooctane

(100 mL minimum) 4oz btl

Alpha No.	Sulfur
AR-3101	0.9
AR-3102	4.7
AR-3103	12.4
AR-3104	28.6
AR-3105	52.1

## Biodiesel Contaminate

In Synthetic Diesel

AR-2971	Blank
AR-2972	0.025 wt%
AR-2973	0.05 wt%
AR-2974	0.075 wt%
AR-2975	0.100 wt%

## Biodiesel Contaminate In #2 Diesel

Alpha No.	Conc.
AR-2980	Blank
AR-2981	0.025 wt%
AR-2982	0.050 wt%
AR-2983	0.075 wt%
AR-2984	0.100 wt%
AR-2985	0.500 wt%
AR-2986	1.00 wt%
AR-2987	3.00 wt%
AR-2988	5.00 wt%

## Desulfurized Hydrocarbon Standards

(100 mL minimum) 4oz btl

Alpha No.	Matrix	% Sulfur
AR-3116	Isooctane	<0.00001
AR-3117	Kerosene	<0.00001
AR-3118	#1 Diesel	<0.00001
AR-3119	#2 Diesel	<0.00001
AR-3120	Paraffin Oil	<0.00001
AR-3121	Gasoline	<0.00001

\*Alpha Resources is proud to be ISO 17025 and Guide 34 Accredited\*

\*Standards are typical. Please contact Alpha Resources or visit our website for current values\*

## Sulfur in Gasoline

(100 mL minimum) 4oz btl

Alpha No.	% Sulfur	g/Liter	g/Gallon
AR-3001	0.000101	XXX	XXX
AR-3002	0.0052	XXX	XXX
AR-3003	0.0103	XXX	XXX
AR-3004	0.0306	XXX	XXX
AR-3005	0.049	XXX	XXX
AR-3006	0.0703	XXX	XXX
AR-3007	0.0908	XXX	XXX
AR-3008	(0.1200)	XXX	XXX
AR-3009	(0.2000)	XXX	XXX

## Nitrogen in Vacuum Gas Oil

(100 mL minimum) 4oz btl

Alpha No.	Concentration
AR-3151	1.05 µg/g
AR-3152	5.15 µg/g
AR-3153	10.01 µg/g
AR-3154	26.37 µg/g
AR-3155	49 µg/g
AR-3156	102 µg/g
AR-3157	432.0

## Viscosity Standards

(100 mL minimum) 4oz btl

Alpha No.	Matrix	Viscosity
AR-3028	#1 Diesel	2.43 cSt @ 40° C
AR-3029	#2 Diesel	2.88 cSt @ 40° C
AR-3030	J-P 8	5.6 cSt @-20° C
AR-3031	Kerosene	1.33 cSt @ 40° C

## High Sulfur Residual Oil

(100 mL minimum) 4oz btl

Alpha No.	Sulfur
AR-2859	5.00%
AR-2861	5.78%
AR-2862	9.86%
AR-2863	19.98%
AR-2864	30.00%

## Ultimate Oil Analysis

500ml btl		118ml btl								
Alpha No.	Alpha No.	Oil Type	Fe (ppm)	Ni (ppm)	V (pp)	Si (ppm)	Cu (ppm)	Na (ppm)		
AR-2070	AR-2070S	Wyoming Sweet Crude	1.94	0.92	0.39	0.42	0.82	2.74		
AR-2071	AR-2071S	North Sea Sweet Crude	4.33	2.24	1.91	1.05	0.1	5.76		
AR-2072	AR-2072S	Alaska North Slope Crude	4.6	16.9	43.6	1.3	0.3	2.6		
AR-2078	AR-2078S	Vacuum Gas Oil	0.18	0.055	0.13	0.15	0.14	0.87		
Alpha No.	Alpha No.	Oil Type	API	Organic	Total Cl	Benzene	Nitrogen	Sulfur	Salt	Carbon
			60° F	Cl ppm	ppm	wt%	ppm	wt%	lb/Mbbls	wt%
AR-2070	AR-2071S	Wyoming Sweet Crude		<1.0	3.16	0.42	67.00	0.082	0.75	
AR-2071	AR-2071S	North Sea Sweet Crude	39.75	<1.00	0.18	0.37	749.90	0.175	2.53	
AR-2072	AR-2072S	Alaska North Slope Crude	28.2		1.50	0.18	1780.00	1.15	2.8	
AR-2078	AR-2078S	Vacuum Gas Oil	20.20				438.80	0.342		0.0386

\*Alpha Resources is proud to be ISO 17025 and Guide 34 Accredited\*

\*Standards are typical. Please contact Alpha Resources or visit our website for current values\*

## Ultimate Oil Analysis Plus Distillation

Alpha No.	Oil Type	Contents	Distillation (°F)							
			IBP1	5	10	20	30	40	50	60
AR-2074	Kerosine (K-1)	500ml	369	391	399	409	418	427	435	446
AR-2075	#2 Diesel	500ml	375	416	434	457	473	491	507	523
AR-2076	#1 Diesel	500ml	455	468	471.6	476.8	482.4	486	490	495
Distillation (°F) Continued from above										
Alpha No.	Oil Type	Contents	70	80	90	95	EP			
AR-2074	Kerosine (K-1)	500ml	454	467	486	503	523			
AR-2075	#2 Diesel	500ml	540	560	586	605	640			
AR-2076	#1 Diesel	500ml	501	508	520	549				

## C, H, N, S, BTU Standards

(100 mL minimum) 4oz btl

Alpha No.	Description	Carbon	Hydrogen	Weight % Values			Gross BTU/Pound
				Nitrogen	Sulfur		
AR-000	Paraffin Oil Standard	85.80	14.20	<0.0001	<0.0001	19,888	
AR-100	Residual Oil Standard	88.03	10.49	0.20	0.96	18,397	
AR-150	Residual Oil Standard	88.80	10.33	0.024	0.26	18,517	
AR-327	Kerosene Standard	85.47	13.97	0.0002	0.136	19,730	
AR-330	#2 Diesel Oil Standard	87.05	13.08	0.0098	0.034	19,418	

## Engine Oils

(100 mL minimum) 4oz btl

Alpha No.	% Ash	% Zn	%Ca	%Mg	%P	%S	Base Number	ASTM D2896	Viscosity	Viscosity
								(cSt/100°C)	(cSt/40°C)	
AR-6301	0.05	<0.001	<0.001	<0.001	<0.001	0.29	2.42	12.25	119.20	
AR-6302	0.22	0.122	0.0005	0.0005	0.103	0.22	2.83	12.56	124.87	
AR-6303	0.83	0.101	0.009	0.105	0.084	0.40	5.42	11.44	102.70	
AR-6304	0.81	0.119	0.058	0.087	0.095	0.56	6.27	12.81	73.51	
AR-6305	0.78	0.155	0.168	0.052	0.126	0.57	7.07	11.52	98.74	

\*Alpha Resources is proud to be ISO 17025 and Guide 34 Accredited\*

\*Standards are typical. Please contact Alpha Resources or visit our website for current values\*

## Vacuum Gas Oil

(100 mL minimum) 4oz btl

<b>AR-2077</b>	
Sulfur (wt.%)	0.45
Nitrogen (ppm)	1267

## Low Sulfur Lube Oil Standards

(100 mL minimum) 4oz btl

Alpha No.	% Sulfur		
AR-3521	<0.0001		
AR-3522	0.0036		
AR-3523	0.0052		
AR-3524	0.011		
AR-3525	0.021		
AR-3526	0.029		
AR-3527	0.041		
AR-3528	0.0505		
Alpha No.	ppm V	ppm Ni	% S
AR-2901	407	75	4.25
AR-2902	271	50	3.11
AR-2903	168	22	2.002
AR-2904	104.01	18.1	1.053
AR-2905	50.2	9.9	0.5263

## Lead in Gasoline

(100 mL minimum) 4oz btl

Alpha No.	% Lead	g/Liter	g/Gallon
AR-2067	<0.0001	XXX	XXX
AR-2066	0.0101	XXX	XXX
AR-2065	0.0253	XXX	XXX
AR-2064	0.050	XXX	XXX
AR-2063	0.075	XXX	XXX
AR-2062	0.125	XXX	XXX
AR-2061	0.201	XXX	XXX

## Sulfur & Lead in Gasoline

(100 mL minimum) 4oz btl

Alpha No.	Sulfur µg/g	Lead µg/g
AR-3111	1023	3.1
AR-3112	524	0.90
AR-3113	106	40
AR-3114	1.06	82
AR-3115	<1	<1

## API Standards

(500 mL contents)

Alpha No.	Matrix	API
AR-3045	# 2 Diesel	35.3
AR-3046	Crude Oil	28.2
AR-3047	Reduced Crude	15.7

## Extreme Pressure Oil

(100 mL minimum) 4oz btl

Alpha No.	% Sulfur
AR-2851	2.00%
AR-2852	3.30%
AR-2853	4.19%

"I love being able to call or email with questions and getting a timely, accurate response. Customer service is outstanding."

Carie – Mining Industry

## O-Rings for ELTRA, LECO®, and Elementar

### ELTRA CHS500/530/580 and Helios

ALPHA®	Eltra	Description
AR70380	70380	O-Ring Combustion Tube
AR70410	70410	O-Ring Combustion Tube
AR70300	70300	O-Ring Dust Trap
AR70370	70370	O-Ring Dust Trap
AR70390	70390	O-Ring Dust Trap
AR70230	70230	O-Ring Reagent Tube

### LECO® SC144 Series

ALPHA®	LECO®	Description
AR6068	616-068	O-Ring Inner Combustion Tube
AR3897	783-897	O-Ring Outer Combustion Tube
AR520	772-520	O-Ring for Reagent Tube
AR320	773-320	O-Ring for Reagent Tube

### LECO® SC423/SC444/CR412 and SC632 Series

ALPHA®	LECO®	Description
AR1476	611-476	O-Ring Inner Combustion Tube
AR1477	611-477	O-Ring Outer Combustion Tube
AR520	772-520	O-Ring for Reagent Tube
AR320	773-320	O-Ring for Reagent Tube
AR6333	606-333	O-ring for Lance

## O-Rings for ELTRA, LECO®, and Elementar

### LECO® CHN900/CHN1000/CHNS932 Series

ALPHA®	LECO®	Description
AR830	605-830	O-Ring
AR224	760-224	O-Ring
AR828	605-828	O-Ring
AR520	772-520	O-Ring
AR4613	774-613	O-Ring
AR422	589-551	O-Ring
AR2910	772-910	O-Ring
AR738	773-738	O-Ring
AR8114	778-114	O-Ring

### LECO® FP2000/CNS2000 and TruMac Series

ALPHA®	LECO®	Description
AR442	601-442	O-Ring Loader Arm Assembly
AR1476	611-476	O-Ring Inner Combustion Tube
AR1477	611-477	O-Ring Outer Combustion Tube
AR2340	612-340	O-Ring Pre-Chiller
AR520	772-520	O-Ring Reagent Tube
AR3379	763-379	O-Ring Condensing Block
AR428	760-226	O-Ring Pinch Valve
AR4613	774-613	O-Ring Loader Arm Assembly
AR8116	778-116	O-Ring Ballast Piston

## O-Rings for ELTRA, LECO®, and Elementar

### LECO® FP428/528/628 CHN628 and Truspec Series

ALPHA®	LECO®	Description
AR442	601-442	O-Ring Reduction/Lance Tube
AR831	780-831	O-Ring Lance
AR3913	773-913	O-Ring Sample Block
AR2910	772-910	O-Ring Piston
AR738	772-738	O-Ring Heater Assembly
AR5976	765-976	O-Ring Filter Tube
AR520	772-520	O-Ring Reagent Tube
AR269	772-269	O-Ring Valve Stem
AR781	778-120	Gasket
AR8116	778-116	O-Ring Ballast Assembly
AR3379	763-379	O-Ring Condensing Block
AR432	774-425	O-Ring Slide Block
AR422	589-551	O-Ring Sliding Block
AR1504	601-504	O-Ring Loading Head
AR1505	601-505	O-Ring Load Head
AR684	601-684	O-Ring Slide Block
AR1939	601-939	O-Ring Cylinder Block
AR2340	612-340	O-Ring Pre-Chiller
AR6138	616-138	O-Ring Secondary Furnace
AR7136	617-136	O-Ring Load Head
AR9192	619-192	O-Ring Lance Shield
AR2557	702-557	O-Ring Secondary Furnace Mount
AR407	771-407	O-Ring Load Head Plunger
AR6017	776-017	O-Ring Ballast Retainer Plate

## O-Rings for Elementar

### Elementar Analyzers

ALPHA®	Elementar	Description
AR02268	03 002 268	O Ring
AR54772	03 654 772	O Ring
AR00368	05 000 368	O Ring
AR00425	05 000 425	O Ring
AR02395	03 002 395	O Ring for gripper arm
AR00092	05 000 092	O Ring Kalrez
AR54615	03 654 615	O Ring Nitrile Rubber
AR00140	05 000 140	O Ring Nitrile Rubber
AR54505	03 654 505	O Ring Silicone Rubber
AR54701	03 654 701	O Ring Silicone Rubber
AR02252	03 002 252	O Ring Silicone Rubber
AR53103	03 653 103	O Ring Silicone Rubber
AR53118	03 653 118	O Ring Silicone Rubber
AR54629	03 654 629	O Ring Silicone Rubber
AR54814	03 654 814	O Ring Silicone Rubber
AR79941	03 679 941	O Ring Silicone Rubber
AR00043	05 000 043	O Ring Silicone Rubber
AR00248	05 000 248	O Ring Silicone Rubber
AR54603	03 654 603	O Ring Silicone Rubber pack of 10
AR00096	05 000 096	O Ring Viton Rubber
AR00372	05 000 372	O Ring Viton Rubber
AR02267	03 002 267	O Ring Viton Rubber
AR54627	03 654 627	O Ring Viton Rubber
AR00095	05 000 095	O Ring Viton Rubber
AR00249	05 000 249	O Ring Viton Rubber
AR00341	05 000 341	O Ring Viton Rubber
AR00359	05 000 359	O Ring Viton Rubber
AR00369	05 000 369	O Ring Viton Rubber
AR00371	05 000 371	O Ring Viton Rubber
AR00385	05 000 385	O Ring Viton Rubber
AR00416	05 000 416	O Ring Viton Rubber
AR01053	05 001 053	O-ring for Spring Flange



## Miscellaneous Operating Supplies

### Carbon/Hydrogen/Nitrogen/Sulfur/Oxygen and Nitrogen/Protein Analyzers

ALPHA®	LECO®	Description
AR241	501-241	Vacuum Grease
AR1614	501-614	Spatula
AR473	502-023	Funnel
AR1617	502-028	Straight Tweezers
AR1618	502-051	Curved Tweezers
AR901	503-032	Regular Glass Scoop

### Sulfur/Carbon Analyzers

ALPHA®	LECO®	Description
AR241	501-241	Vacuum Grease
AR1614	501-614	Spatula
AR473	502-023	Funnel
AR1617	502-028	Straight Tweezers
AR1618	502-051	Curved Tweezers
AR901	503-032	Regular Glass Scoop
AR061	501-062	Boat Puller
AR6319	606-319	Braided Wire
AR6320	606-320	Element Clamps
AR6063	616-063	Boat Puller
AR929	761-929	Crucible/Boat Tongs
AR980	768-980	Balston Filter
AR5859	775-859	Cleaning Brush
AR978	776-978	Large Glass Scoop
AR028	781-273	Hot Plate for Boats

LECO #	ALPHA #	DESCRIPTION
145-601	AR5601	WATER TEMP REGULATOR
156-002	AR002	"O" RING (UPPER ELECTRODE)
156-004	AR005	TEFLON BACKUP SEAL
163-012	AR63012	TUBING INSERT
170-001	AR0001	SPRING, LOWER ELECTRODE
172-505	AR2505	TEFLON TUBING, 1/4" OD
175-573	AR5573	TEAR OFF BLADE
175-574	AR5574	OPTICAL SWITCH ASSEMBLY
175-590	AR5590	PUMP REPAIR KIT, SC32/132
175-631	AR5631	MOTOR BRUSH FOR 774-571
175-632	AR5632	"O" RING, FLOW CONTROLLER
175-659	AR5659	PAPER DEFLECTOR V55147
175-673	AR5673	PRINT HEAD
175-674	AR5674	TEAR OFF BLADE SPRING
183-001	AR2174	ALPHASOLVE II, 20 - 30 MESH
188-012	AR293	SMALL THROAT BRUSH
190-142	AR142	SCREWS FOR LOWER ELECTRODE, 4 REQUIRED
190-739	AR739	NYLON SPACER SCREW
194-060	AR4060	HEX JAM NUT FOR AR-5814
204-001	AR001	THERMOREGULATOR TC30, TN14, RO16
501-001	AR1701	COAL STANDARD, 0.4% SULFUR
501-005	AR1704	COAL STANDARD, 1.0% SULFUR
501-008	AR008	ALPHACEL II TUNGSTEN, 2.2 KG
501-009	AR1009	SPRING CLIP FOR DUST TRAP
501-010	AR010	DUST TRAP COMPLETE
501-011	AR011	DUST TRAP BODY INSERT
501-012	AR011B	DUST TRAP RESERVOIR
501-013	AR013	FILTER CLOTHS, PKG. 10
501-014	AR1705	COAL STANDARD, 1.5% SULFUR
501-020	AR1708	COAL STANDARD, 3.0% SULFUR
501-022	AR1709	COAL STANDARD, 3.5% SULFUR
501-024	AR322	GREY IRON STANDARD 150GM., 3.35%C, 0.041 %S
501-027	AR204	ASPIRATOR BULB
501-031	AR031	INDUCTION COIL, HYDROCARBON
501-034	AR1034	CALCIUM CARBONATE, 12%, 50GM
501-045	AR1045	ZIRCON CRUCIBLE, CHN 900
501-046	AR2021	SUCROSE STANDARD, 50G
501-053	AR1053	ACETANILIDE STANDARD, 10GM
501-057	AR079G	ALPHANAL, 1 GALLON
501-059	AR059	TIN CAPSULES, 100 btl
501-067	AR067	ROTOMETER BALL ONLY
501-073	AR073	GRAPHITE POWDER (BTL) (100GMS)
501-076	AR076	TIN METAL
501-077	AR077	IRON CHIP
501-078	AR078	IRON POWDER
501-079	AR079	ALPHANAL WETTING AGENT, 118 mL
501-081	AR081	GLASS WOOL
501-082	AR022	BRUSH
501-083	AR304	DUCTILE IRON STANDARD, 4.23% C

501-089	AR507	VALVE ASSEMBLY FOR 516-000
501-095	AR2814	RESIDUAL OIL, 1.0% S
501-099	AR2837	LUBE OIL, 4% S
501-101	AR800	ARROWROOT STARCH SOLUTION
501-105	AR301	CAST IRON STANDARD, 2.12% C
501-110	AR110	3/8" I.D. SILICONE TUBING
501-110-019	AR110-19	SILICONE RUBBER TUBE, 3/8" X 19"
501-112	AR112	1/4" I.D. NEOPRENE TUBING
501-123	AR307	TUNGSTEN CARBIDE STD, 100G
501-130	AR1710	COAL STANDARD, 4.0% SULFUR
501-141	AR2779	ULTIMATE COAL STANDARD, 50GM
501-144	AR144	MAGNESIUM OXIDE
501-147	AR148	COPPER PIN STANDARD, 500PPM
501-148	AR149	COPPER PIN STANDARD, 3000PPM
501-165	AR1165	DRIERITE INDICATING 10-20M, 454GM
501-166	AR166	ASCARITE II 8 - 20 MESH
501-170	AR170	RARE EARTH COPPER OXIDE
501-171	AR171	ANHYDRONE, 8-20 MESH
501-179	AR079P	ALPHANAL, 16 OZ
501-184	AR1711	COAL STANDARD, 5.0% SULFUR
501-197	AR197	TRAP MATERIAL 12GM
501-233	AR233	CERAMIC ADHESIVE ALUMINA, 2OZ
501-234	AR234	OXYGEN SPECIMEN FILE
501-241	AR241	SILICONE GREASE 5.3 OZ.
501-263	AR263	COPPER METAL ACCELERATOR, 3 lb (1.36 kg)
501-264	AR264	COPPER METAL ACCELERATOR, 0.5 lb (227 g)
501-265	AR1265	CRUCIBLE HOLDER TRAY
501-280	AR634	"O" RING
501-291	AR291	OXYGEN REGULATOR ASSEMBLY
501-369	AR1727	PROX COAL STD. 2.5% S
501-426	AR426	COMBUSTION CONTROL, SOLID SAMPLES
501-427	AR427	COMBUSTION CONTROL, LIQUID SAMPLES
501-428	AR1721	PROX COAL STD. 0.4% S
501-429	AR1723	PROX COAL STD. 1.0% S
501-430	AR1724	PROX COAL STD. 1.5% S
501-431	AR1726	PROX COAL STD. 2.0% S
501-432	AR1728	PROX COAL STD. 3.0% S
501-433	AR1730	PROX COAL STD. 4.0% S
501-438	AR734	PROX COAL STD. 0.9% S
501-439	AR000	PARAFIN OIL, 118ML/BTL C, H, N, BTU
501-441	AR2021	SUCROSE, 50GM
501-457	AR400	TIN COATED COPPER, 1.3KG
501-458	AR2822	#2 DIESEL OIL
501-501	AR870	RING STANDARD, 1# JAR, .031 C
501-502	AR871	RING STANDARD, 1# JAR, .053% C
501-503	AR872	RING STANDARD, 1# JAR, .185% C
01-504	AR873	RING STANDARD, 1# JAR, .468% C
501-505	AR874	RING STANDARD, 1# JAR, .723% C
501-506	AR875	RING STANDARD, 1# JAR, .817 %C

501-529	AR556	1 GM STEEL BALL, 5.7PPM H2
501-539	AR930	ACTIVATED CHARCOAL, 454GM
501-551	AR660	N/O STANDARD, 0.5 G, STEEL, 100 BTL
501-552	AR656	N/O STANDARD, 0.5 G, STEEL, 100 BTL
501-553	AR669	N/O STANDARD, 0.5 G, STEEL, 100 BTL
501-561	AR2016	SOY BEAN MEAL SRM
501-563	AR2025	CORN MEAL SRM
501-571	AR571	COPPER CAPSULES, 100 BTL
501-587	AR912	PLATINIZED SILICA
501-592	AR062	MANGANESE DIOXIDE, 250 CC
501-598	AR598	NIBBLED NICKEL FLUX, 100GM BTL
501-608	AR1608	QUARTZ WOOL WADDING, 200 GM
501-609	AR615	FURNACE REAGENT, 100GM
501-614	AR1614	SPATULA
501-621	AR621	COPPER TURNINGS
501-632	AR632	MOLE SIEVE TRAP 14G
501-636	AR636	VANADIUM PENTOXIDE
501-640	AR366	COPPER METAL ACCELERATOR, 25#
501-641	AR643	COPPER METAL SCRUBBER MATERIAL, 454GM
501-644	AR644	OXYGEN STANDARDS, 1GM STEEL
501-645	AR1651	N/O STANDARD, 1GM PINS
501-647	AR1655	N/O STANDARD, 1.0 G, STEEL, 100 BTL
501-648	AR2776	ULTIMATE COAL STANDARD, 50GM
501-673	AR673	IRON CALIBRATION STANDARD, 454GM
501-674	AR881	PIN STANDARD, .017% C, .003% S
501-675	AR882	PIN STANDARD, .064% C, .021% S
501-676	AR890	PIN STANDARD, .099% C, .018% S
501-677	AR895	PIN STANDARD, .247% C, .021% S
501-678	AR884	PIN STANDARD, .441% C, .011% S
501-679	AR885	PIN STANDARD, .805% C, .022% S
501-697	AR612	PLATINIZED CHARCOAL, 50GM
501-951	AR1951	NICKEL CALIBRATION WIRE
501-955	AR1722	PROX COAL STD. .7% S
501-957	AR1729	PROX COAL STD. 3.5% S
501-959	AR742	PROX COAL STD. 2.0% S
501-961	AR304	DUCTILE IRON STANDARD, 4.15% C
501-964	AR1712	COAL STANDARD, 6.0% SULFUR
501-967	AR2851	EXTREME PRESSURE OIL
501-968	AR2852	EXTREME PRESSURE OIL
501-969	AR2853	EXTREME PRESSURE OIL
502-005	AR1205	PIPETTE BRUSH
502-007	AR2189	TUBE CLEANER, 8MM X 4FT, FP428
502-008	AR570	TIN PLUGS, 150/BTL
502-016	AR655	N/O STANDARD, 0.5G, STEEL, 100 BTL
502-020	AR599	ETCHABLE NICKEL FLUX 100GM
502-021	AR548	HYDROGEN STANDARD, .5PPM H2/100
502-023	AR473	REAGENT TUBE FUNNEL
502-024	AR651	0.1GM PINS, 10GM BTL, 29PPM HYDROGEN, TI
502-026	AR2818	RESIDUAL OIL
502-029		CONTACT ALPHA FOR ENTIRE RANGE

502-030		CONTACT ALPHA FOR ENTIRE RANGE
502-032	AR078	ACCELERATOR, 454G FE POWDER
502-040	AR2166	TIN CAPSULE, 6MM OD, 100/BTL
502-042	AR025	QUARTZ CRUCIBLE, CHN
502-049	AR049	REAGENT "N" CATALYST
502-060	AR556	1.0 GM STEEL PIN STD., 5.7PPM HYDROGEN
502-061	AR555	1.0GM STEEL PIN STD., 2.5PPM HYDROGEN
502-062	AR4020	SOIL STANDARD, 1% C, 100 G
502-071	AR2864	HIGH SULFUR RESIDUAL OIL, 118ML 30% S
502-072	AR655	1/2 GM STEEL PIN, N = 3896 PPM O = 2
502-076	AR571	COPPER CAPSULES, 100/BTL
502-077	AR570	TIN PLUGS, 150/BTL
502-085	AR3085	ZN SULFIDE, 32% S, 50GM
502-091	AR091	CALCIUM OXALATE STD, 50GM
502-092	AR2092	EDTA STANDARD, 50GM
502-122	AR2122	FIRING FUSE WIRE, 2" PKG OF 10
502-134	AR2134	BENZOIC ACID TABLET 1.45GM, PK 10
502-134	AR2134V	BENZOIC ACIT TABLET 1.45GM, PK 500
502-154	AR648	TI PIN STD, 130 PPM HYDROGEN, BTL 100 1/4 G PIINS
502-156	AR2156	FLUORHIBIT, 454GM
502-167	AR2167	TIN CAPSULES, 8MM, 100/BTL, FP428
502-173	AR173	ALPHACEL II - HP, 750G
502-174	AR2174	ALPHASOLVE II, CO2 ABSORB 20-30, 500GM
502-176	AR2176	ALPHASOLVE II, CO2 ABSORB 8-20, 500GM
502-177	AR177	FINE QUARTZ WOOL, 50 GM
502-181	AR2181	TUNGSTIC OXIDE, GRANULAR, 60GM
502-183	AR2183	NICKEL CAPSULE, 10.0 mm L X 6.7 mm W, 100/BTL
502-184	AR502	BENZOIC ACID POWDER, 99%, 10 GM
502-186	AR2186	TIN FOIL CUPS, 100/BTL, FP428
502-187	AR2187	TIN CAPSULE, 3.5mm x 9mm, 100/BTL
502-188	AR2188	ALUMINA OXIDE PELLETS, FP428, 200G
502-189	AR189	COPPER STICKS, 100GM, FP228/428
502-190	AEB1002	COPPER OXIDE, FINE WIRES, 100GM
502-203	AEB2031	STEARIC ACID STANDARD, 1GM
502-204	AEB2034	DINITROBENZOIC ACID STANDARD, 1GM
502-205	AEB2030	CAFFEINE STANDARD, 1GM
502-206	ASD2003	SILVER CAPSULES, 3.5 X 5 MM, 100PCS
502-207	AEB2035	CYSTINE STANDARD, 1GM
502-208	AEB2036	SULPHANILAMIDE STANDARD, 1GM
502-209	AR2209	SULPHAMETHAZINE STANDARD, 5GM
502-211	AR211	GLYCINE 99%, 50 GM
502-213	AR2213	LEAK DETECTION SOLUTION, 4OZ
502-225	AEB1036	SILVER TUNGSTATE/MGO, 100GM
502-226	AEB1009	SILVER VANADATE, 10GM
502-227	ATD1000	TIN CAPSULES, 3.2mm X 4mm, 500
502-231	AR673	HI PURITY IRON STD, LOW C & S
502-258	AR621	COPPER TURNINGS, DEGASSED, 200GM
502-266	AR205	FIRING FUSE WIRE, 300 DTMS, 0.006" Dia
502-272	AR2017	CORN GLUTEN, C,H,N,S, 30G

502-273	AR2018	ALFALFA, C,H,N,S, 30G
502-274	AR2019	WHEAT FLOUR, C,H,N,S, 30G
502-275	AR2020	RYE FLOUR, C,H,N,S, 30G
502-276	AR2026	OAT MEAL, C,H,N,S, 30G
502-277	AR2027	BARLEY, C,H,N,S, 30G
502-278	AR2028	RICE FLOUR, C,H,N,S, 30G
502-282	AR189	COPPER STICKS, 100G AMPULE
502-294	AR008F	REPLACED BY AR 008 OR AR 173
502-295	AR621	COPPER TURNINGS, DEGASSED, 200GM
502-297	AR008B	ALPHACEL II, HP, 13.6KG
502-298	AR298	SULFAMETHAZINE, 25 GM
502-301	AR2301	TUNGSTEN OXIDE, 125GM
502-304	AR2304	COPPER STICKS, 100G PACKED IN ARGON AMPOULE
502-304-500	AR2304500	COPPER STICKS, RESEALABLE BTL, 500 GM
502-308	AR4016	SOIL STANDARD, 2% C & S, 25 G
502-310	AR2310	STEEL WOOL FILTER MATERIAL, 454GM
502-311	AR2311	FURNACE REAGENT 1000, 100GM
502-314	AR177	QUARTZ WOOL, 28.4GM
502-318	AR4017	SOIL STANDARD, 25 GMS, C=0.5%, S= 0.5%
502-319	AR4005	ORE STANDARD, 30 GMS, C=1.42%, S=1.41%
502-320	AR4006	ORE STANDARD, 30 GMS, C=4.40%, S=4.24%
502-321	AR321	ALPHACAT ACCELERATOR, 250 GM
502-335	AR2335	NICKEL FOIL CRUCIBLE LINERS, PKG 250
502-338	AR338	ALPHAGEL CAPSULES, 400 BTL, FOR FP428
502-343	AR2343	NICKLE BOAT LINER, PKG/100
502-344	AR2344	NICKEL BASKETS, LOW OXYGEN,1G/100BTL
502-345	AR2345	NICKEL BASKETS, LOW OXYGEN,1.5G/100BTL
502-351	AR351	HALOGEN SCRUBBER, 50 G
502-359	AR2359	FURNACE REAGENT, MGO, 200 GM
502-372	AR4007	ORE STANDARD, 30 GMS, C=7.62%, S=3.25%
502-374	AR2374	HEATED PARTICULATE FILTER, PKG OF 50, 25MM
502-382	AR339	MEDIUM ALPHAGEL CAPS, 400 CAPS PER BTL
502-383	AR1700	COAL STANDARD, 50 GM, 0.27% S NOM
502-384	AR1702	COAL STANDARD, 50 GM, 0.74% S NOM
502-385	AR1704	COAL STANDARD, 50 GM, 0.95% S NOM
502-386	AR1705	COAL STANDARD, 50 GM, 1.54% S NOM
502-387	AR1708	COAL STANDARD, 50 GM, 2.03% S NOM
502-388	AR1711	COAL STANDARD, 50 GM, 2.93% S NOM
502-389	AR2892	RESIDUAL OIL STANDARD, 0.10%S, 4 OZ (118ML)
502-390	AR2895	RESIDUAL OIL STANDARD, 0.50%S, 4 OZ (118ML)
502-391	AR2814	RESIDUAL OIL STANDARD, 1.00%S, 4 OZ (118ML)
502-392	AR2815	RESIDUAL OIL STANDARD, 2.00%S, 4 OZ (118ML)
502-393	AR2816	RESIDUAL OIL STANDARD, 3.00%S, 4 OZ (118ML)
502-394	AR2899	RESIDUAL OIL STANDARD, 4.5%S, 4 OZ (118ML)
502-397	AR2397	LARGE TIN FOIL CUPS, 100 PER BTL
502-397-400	AR2397400	LARGE TIN FOIL CUPS, 400 PER BTL

502-417	AR2838	SULFUR IN LUBE OIL 0.01%S, 4 OZ (118ML)
502-418	AR2838	SULFUR IN LUBE OIL, 0.05%S, 4 OZ (118ML)
502-419	AR2934	SULFUR IN LUBE OIL, 0.10%S, 4 OZ (118ML)
502-420	AR2833	SULFUR IN LUBE OIL, 0.50%S, 4 OZ (118ML)
502-421	AR2835	SULFUR IN LUBE OIL, 1.00%S, 4 OZ (118ML)
502-422	AR2836	SULFUR IN LUBE OIL, 2.00%S, 4 OZ (118ML)
502-423	AR2837	SULFUR IN LUBE OIL, 4.00%S, 4 OZ (118ML)
502-424	AR2871	SULFUR IN #2 DIESEL FUEL, 0.01%S, 4 OZ (118ML)
502-425	AR2873	SULFUR IN #2 DIESEL FUEL, 0.02%S, 4 OZ (118ML)
502-426	AR2875	SULFUR IN #2 DIESEL FUEL, 0.05%S, 4 OZ (118ML)
502-427	AR2877	SULFUR IN #2 DIESEL FUEL, 0.10%S, 4 OZ (118ML)
502-428	AR2823	SULFUR IN #2 DIESEL FUEL, 0.50%S, 4 OZ (118ML)
502-429	AR2825	SULFUR IN #2 DIESEL FUEL, 1.00%S, 4 OZ (118ML)
502-430	AR2827	SULFUR IN #2 DIESEL FUEL, 2.00%S, 4 OZ (118ML)
502-431	AR2829	SULFUR IN #2 DIESEL FUEL, 3.00%S, 4 OZ (118ML)
502-433	AR1700	COAL STANDARD, 50 GM, 0.29%S NOM
502-434	AR1702	COAL STANDARD, 50 GM, 0.74%S NOM
502-435	AR1704	COAL STANDARD, 50 GM, 0.95%S NOM
502-436	AR1705	COAL STANDARD, 50 GM, 1.54%S NOM
502-437	AR1708	COAL STANDARD, 50 GM, 2.93%S NOM
502-438	AR1710	COAL STANDARD, 50 GM, 4.95%S NOM
502-450	AR450	HEATED PARTICULATE FILTER, PKG OF 50, 3.2MM
502-489	AR2489	POROUS CRUCIBLE CHN, 10 PKG
502-493	AR2156	FLUORHIBIT, 454GM
502-820	AR568	NICKEL CAPSULE,12.3mm L X 6.7mm W,100 BTL
502-822	AR568	NICKEL CAPSULE, 12.3 mm L X 6.7mm W, 100 BTL
503-007	AR007	DETACHABLE FLOAT VALVE
503-020	AR3020	BORON DISTILLATION APPARATUS
503-031	AR905	FUNNEL (3 LEG)
503-032	AR901	SCOOP
503-033	AR033	SULFUR TRAP, FILLED
503-051	AR051	OXYGEN BAFFLE FOR 1 1/8" ID TUBE
503-052	AR052	OXYGEN BAFFLE FOR 1 1/4" ID TUBE
507-010	AR911H	CATALYST TUBE (HOPCOLITE)
507-011	AR911E	CATALYST TUBE (UNFILLED)
507-012	AR012	REDUCER
507-100	AR7100	CATALYST FURNACE, REBUILT
507-200	AR7200	CATALYST FURNACE, REBUILT
507-207	AR911	CATALYST TUBE, FILLED, PT SI
507-207	AR911R	CATALYST TUBE, FILLED, RARE EARTH
508-300	AR8300	CATALYST HEATER, REBUILT
508-400	AR8400	CATALYST HEATER, REBUILT
508-500	AR8500	CATALYST HEATER, REBUILT
508-600	AR8600	CATALYST HEATER, REBUILT
511-036	AR182	4MM I.D. EVACUATED PIN TUBE
511-038	AR1038	PIN TUBE HOLDER
511-039	AR181	3MM I.D. EVACUATED PIN TUBE

511-390	AR183	6MM I.D. EVACUATED PIN TUBE, PKG 10
516-000	AR906	PURIFYING TRAIN
516-004	AR504	ROTOMETER
516-005	AR505	DRYING TOWER
516-006	AR506	ACID TOWER
516-063	AR507	NEEDLE VALVE COMPLETE
517-204	AR204	RUBBER SQUEEZE BULB
518-016	AR016	BURRETTE
518-024	AR024	LIGHT DIRECTOR
518-030	AR017	VESSEL
518-045	AR045	REWORKED PHOTOCELL
519-004	AR004	HYDROCARBON SULFUR TUBE
519-005	AR900	IGNITOR
519-009	AR009	PEDESTAL
521-112	AR114	SILICONE TUBING, 4" X 3/8" I.D.
521-113	AR113	SILICONE RING SEAL
521-186	AR187	SOLID STATE RECTIFIER
521-287	AR287	SUPPRESSOR COIL
521-305	AR932	DRYING TUBE
528-018	AR3818	CERAMIC CRUCIBLE
528-028	AR8028	FILTERING CRUCIBLES, SMALL
528-030	AR8030	FILTERING CRUCIBLES, LARGE
528-040	AR040	COVER, 4MM HOLE
528-042	AR042	POROUS COVERS
528-043	AR9880	COVERS W/ 10MM HOLE
528-050	AR3818B	CERAMIC CRUCIBLES, BAGS/500/BOX
528-053	AR8053	COMBUSTION BOAT, 4" X 1/2"
528-120	AR8120	LOW SULFUR CRUCIBLE
528-203	AR8203	COMBUSTION BOAT FOR SC132/32/CR-12, 500 BOX
528-203-250	AR8203250	COMBUSTION BOAT FOR SC132/32/CR-12, 250 BOX
528-230	AR5282	COMBUSTION BOAT, GLAZED FOR LIQUIDS, PKG OF 50
528-313	AR8313	COMBUSTION TUBE 1 1/8" X 30" OBE
528-314	AR8314	COMBUSTION TUBE 1 1/4" X 30" OBE
528-331	AR8331	COMBUSTION TUBE 1 1/8" X 27" TE
528-332	AR8332	COMBUSTION TUBE 1 1/8" X 30" TE
528-333	AR8333	COMBUSTION TUBE 1 1/4" X 30" TE
529-007	AR529	CERAMIC PEDESTAL, 3.05"
529-011	AR9011	CERAMIC LINER SC32/132/CR-12
529-012	AR9012	BOAT STOP KIT (2 X AR9012)
529-018	AR3203	CERAMIC NOZZLE 320-00203 LECOMELT
529-022	AR9022	BOAT STOP HALF, HONEYCOMB FINE
529-026	AR026	CRUCIBLE CHN-600, PKG. 50
529-028	AR9023	BOAT STOP HALF SC132/32
529-031	AR9031	CONE SUPPORT D
529-042	AR9042	CERAMIC CRUCIBLE, MAC-400/TGA, SMALL (5)
529-043	AR9043	CERAMIC COVER, MAC-400/TGA, SMALL (5)
529-044	AR9044	CONE SUPPORT I
529-046	AR9046	CERAMIC TUBE TF-10, 1 1/4" X 23" L
529-047	AR9047	CERAMIC CRUCIBLE, MAC-400 LARGE (5)

529-048	AR9048	CERAMIC COVER, MAC-400 LARGE (5)
529-054	AR9023	BOAT STOP HALF SC32/132
529-055	AR026	CRUCIBLE CHN, BAG OF 50
529-203	AR8203P	COMBUSTION BOAT SC32/132/CR12
529-204	AR9204P	COMBUSTION BOAT, S-144DR, BAG OF 50
529-204-250	AR9204250	COMBUSTION BOAT, BOX OF 250
532-060	AR045	REBUILT PHOTOCELL ASSEMBLY
532-065	AR065	BURRETTE FOR 532-500
532-066	AR066	VESSEL FOR 532-500
532-500	AR532	AUTOMATIC SULFUR TITRATOR
533-104	AR801	STARCH DISPENSING
537-103	AR103	1/4" O.D. POLYFLOW TUBING
540-140	AR140	BULB
544-147	AR4147	LEVELING BOTTLE FOR 572
549-007	AR907	ARMATURE
549-072	AR9072	RESTRICTOR
549-076	AR176	BULB, LIGHT SOURCE FOR 518, 532
550-004	AR404S	OSCILLATOR TUBE, EIMAC
550-007	AR5007	45 SEC TIME DELAY TUBE
550-044	AR044	INSULATOR, PORCELAIN 521/523
550-046	AR046	RESISTOR, 521/523
550-047	AR0047	RF CHOKE FOR 521/523
550-048	AR048	RF CHOKE
550-053	AR0053	POWER SWITCH FOR 521/523
550-119	AR019	RIGHT ANGLE BEND
550-120	AR120	SULFUR COMBUSTION TUBE
550-122	AR122	CARBON COMBUSTION TUBE
550-123	AR123	PEDESTAL INSERT
550-124	AR124	PEDESTAL, 2.50"
550-165	AR165	SPRING CLIP FOR COMBUSTION TUBE
550-167	AR550	FURNACE FAN FOR MODELS 521/523, 115VAC
550-182	AR180	QEGC CRUCIBLE
550-183	AR179	QUARTZ CRUCIBLE INSERT FOR AR-180
550-184	AR184	COPPER RINGS
550-187	AR186	CAPACITOR
563-035	AR035	HEADER STOPCOCK, 572, 577
563-037	AR037	REBUILT BURET FOR 577
566-008	AR006	INDUCTION COIL
568-016	AR428	"O" RING
572-016	AR72016	CONTROL VALVE FOR 572
572-029	AR029	FLOAT VALVE ASSEMBLY
572-031	AR2031	SPLASHPROOF DEVICE
578-672	AR672	"O" RING
585-235	AR200	AL203 WHEEL, 7" X 3/4" H X 1/16"
585-270	AR270	AL203 CUT-OFF WHEEL 7 X 1" X 1/16"
585-359	AR5359	PIN CUTTER SPACER, FOR 1/2 G PIN
585-360	AR5360	PIN CUTTER SPACER, FOR 1 G PIN
585-500	AR2000X	PIN CUTTER, 1 H.P., 230VAC, 50 Hz.
585-600	AR2000	PIN CUTTER, 1 H.P., 115VAC, 60 Hz.
589-305	AR9305	1/4" RUBBER SLEEVE

589-364	AR9364	OVEN FAN, WR12,TC30, DAYTON
589-551	AR422	"O" RING (AUTO DROP)
589-699	AR699	LANCE SLEEVE,CS44,IR12/32,AR521
589-859	AR859	THERMISTORS, WR-12, 750
589-887	AR887	"O" RING
589-891	AR9891	TIMER RELAY 750/589
593-100	AR593	TIMER, SULFUR TITRATOR
598-142	AR859	THERMISTORS, WR-12, 750
598-157	AR157	MOISTURE TRAP, FILLED, 750, 598
598-158	AR158	MOISTURE TRAP, UNFILLED, 750, 598
598-257	AR257	REPLACED BY 614-591
598-614	AR613	BULBS - SWITCHES 6.3V (750-100)
601-064	AR064	QUARTZ HEATER TUBE, CF-10
601-065	AR1065	PYREX REAGENT TUBE, CF-10
601-158	AR1158	"O" RING CHN 800
601-159	AR1159	"O" RING CHN 800
601-132	AR132	COMBUSTION TUBE CHN 800
601-133	AR1133	"O" RING (1.0 X 1.25) CHN
601-201	AR1201	REACTION TUBE DH103
601-390	AR390	QUICK DISC TUBE FP428
601-397	AR397	SHIM, COMBUSTION TUBE FP428, PK8
601-437	AR437	QUARTZ CATALYST TUBE, FP428
601-438	AR438	COMBUSTION TUBE FOR NP228/428, SN 1 THRU 3445
601-441	AR441	QUARTZ LANCE TUBE, FP428
601-442	AR442	"O" RING, FP428, RC612
601-482	AR482	HONEYCOMB SUPPORT, FP428
601-483	AR483	PRINTER PAPER, 9 1/2 X 11, 600 SHEETS
601-484	AR484	PRINTER RIBBON CARTRIDGE
601-490	AR1490	PELLETIZING FOILER DEVICE
601-504	AR1504	"O" RING, LOADING BLOCK,FP228
601-505	AR1505	"O" RING, COMBUSTION TUBE, FP228, RC612
601-506	AR1506	COMBUSTION TUBE, FP228
601-654	AR1654	THERMOCOUPLE FOR CHN 2000
601-684	AR684	"O" RING, LOADING HEAD ASSEMBLY TC600
601-691	AR1691	.125 CFLEX TUBING, 12"
601-691-030	AR169130	CFLEX TUBE, 30"
601-691-036	AR169136	CFLEX TUBE, 36"
601-862-110	AR1862	FURNACE, FP-428, 550-650 WATTS
601-920	AR920	"O" RING
601-939	AR1939	"O" RING, DOSER, FP428
601-963	AR1963	TIN CAPSULES, 3.5mm X 4mm, CHN932
601-981	AR981	SIDE ARM CLEANING BRUSH, FP428
602-615	AR2615	FURNACE HOUSING W/O END CAPS FP2000
602-802	AR802	"O" RING, RH 402, RC612
602-803	AR803	"O" RING, RH 402
602-969	AR969	5000 DETERMINATIONS PACKAGE FOR FP-428
603-047	AR63047	URETH TUBING, .061 X .12 OD, RED, PER FT.
603-048	AR63048	URETH TUBING, .061 X .12 OD, BLUE, PER FT.
603-049	AR63049	URETH TUBING, .061 X .12 OD, GREEN, PER FT.

603-050	AR63050	URETH TUBING, .061 X .12 OD, BLACK, PER FT.
603-051	AR63051	URETH TUBING, .061 X .12 OD, WHITE, PER FT.
603-052	AR63052	URETH TUBING, .061 X .12 OD, ORANGE, PER FT.
603-350	AR350	"O" RING EXTRACTION TOOL
603-493	AR3493	"O" RING
603-706	AR706	PEDESTAL FOR RH402
603-707	AR707	REACTION TUBE RH402
603-710	AR710	QUARTZ CRUCIBLES, RH402, 24PCS
603-910	AR3910	"O" RING
603-970	AR3970	"O" RING RH402, UPPER LOAD MECH
603-971	AR3971	"O" RING RH402, UPPER LOAD MECH
604-112	AR604	QUARTZ CATALYST TUBE
604-114	AR923	PEDESTAL ONLY, QUARTZ WITH FITTING
604-163	AR163	BRASS BRUSH
604-172	AR172	"O" RING
604-241	AR4241	REACTION TUBE, HF402/RH402
604-271	AR271	SS FLUTED BRUSH, DIA SLOTTED
604-373	AR4373	CAPSULE HOLDER
604-496	AR4496	TEFLON FLX TUBING .125 X .032W, FT
604-518	AR518	SS CLEANING BRUSH, UNSLOTTED
604-541	AR4541	LANCE TUBE CHN 900/932
605-520-087	AR6055	"O" RING PACKAGE,CS200/300/400
605-814	AR5814	PEDESTAL ADAPTER ASSEMBLY
605-815	AR5815	PEDESTAL ADAPTER, CS144 - CS444
605-816	AR816	CERAMIC PEDESTAL, CS144-444 SIN
605-817	AR817	PEDESTAL ADAPTER, CS125
605-818	AR818	PEDESTAL ADAPTER 606/816, EC12,HF10/20
605-828	AR828	"O" RING, FP428, SN 1 THRU 3445
605-830	AR830	"O" RING, CHN
605-875	AR5875	FURNACE RED/OX TUBE, CHN900
606-026	AR6026	GRAPHITE CRUCIBLE, PKG 10, MICRO OXYGEN
606-202	AR202	FURNACE FAN FOR FP2000 SERIES
606-224	AR6224	THERMOCOUPLE, SC432 SERIES
606-286	AR563	SHORT STRAP, SC432
606-308	AR6308	STEPPED CERAMIC BOAT STOP, SC432
606-309	AR6309	OUTER COMBUSTION TUBE, SC432
606-310	AR1477	"O" RING COMB TUBE, SC432
606-312	AR1476	"O" RING COMB TUBE, SC432
606-313	AR6313	INNER COMBUSTION TUBE, SC432
606-316	AR6316	LANCE TUBE ASSEMBLY, SC432
606-317	AR6317	STAINLESS PURGE TUBE
606-318	AR6318	HEATING ELEMENTS (3), SC432
606-319	AR6319	LEAD WIRE BRAIDED 6.5, SC-432
606-320	AR6320	BRAID CLAMP FOR SC432 ELEMENT
606-327	AR6327	GAS DRYING TUBE, SC-432
606-333	AR6333	"O" RING, LANCE, SC-432
606-340	AR6340	DRILLED LANCE TUBE, FP-2000
606-403	AR403	COLLECTION TUBE BRUSH, SC432
606-444	AR6644	#2 STEPPED CERAMIC BOAT STOP

606-547	AR6547	BOAT PULLER, SC432 AUTOLOADER
606-550	AR6550	FINGER ARM FOR AR-6547
606-601	AR6601	HEATING ELEMENTS (4) CS432,CS144
606-601-100	AR6601100	HEATING ELEMENT KIT
606-602	AR6602	FURNACE END CAP, FP-2000
606-316	AR6316	LANCE TUBE FOR SC432
606-655	AR6655	GLASS PURIFIER TUBE, SC432
606-747	AR6747	2 HOLE LANCE TUBE, FP-2000, 245MM
608-065	AR8065	LANCE TUBE TRUSPEC MICRO OXYGEN
608-339	AR8339	COMB TUBE, OLD STYLE, CHN1000 14MM OD X 200MM
608-342	AR342	COMBUSTION TUBE, QUARTZ, CHN1000
608-343	AR8343	FURNACE ELEMENT, CHN1000
608-344	AR344	COMBUSTION TUBE, OUTER, CHN1000
608-378	AR1476	"O" RING, CHN 1000
608-379	AR8379	QUARTZ WOOL STRIPS, 15", PKG 10
608-505	AR8505	COMBUSTION TUBE, CERAMIC, CHN1000
608-866	AR866	CFLEX TUBING .187" PER FOOT
609-114	AR9114	"O" RING, SIDE ARM, SN 3446 UP
609-116	AR9116	COMBUSTION TUBE, FP428, SN 3446 UP
609-129	AR9129	LANCE, STRAIGHT
609-170	AR9170	QUICK CAP KIT
609-171	AR9171	PLUNGER FOR CELLULOSIC TUBES
609-172	AR9172	TUBING CELLULOSIC, .210ID, 20/PK
609-271	AR9271	RADIAL SHAFT SEAL, FP2000 AUTOLOADER
609-394	AR394	HEAT SHIELD FOR FP/NS2000
609-474	AR9474	FINGER ARM FOR AR-1207 SHAFT
609-728	AR9728	SHAFT SLEEVE BEARING, FP2000 AUTOLOADER
610-735	AR735	FURNACE BRUSH, CS-444, DIA SLOTTED
611-207	AR1207	PULLER SHAFT ASSEMBLY WITH FINGER
611-255	AR9171	PLUNGER ASSEMBLY
611-351-182	AR691	ELECTRODE INSERT
611-351-189	AR691	ELECTRODE INSERT
611-351-223	AR1351	COMBUSTION TUBE, HD
611-431	AR1431	"O" RING, 132
611-476	AR1476	"O" RING, INNER COMBUSTION TUBE
611-477	AR1477	"O" RING, OUTER COMBUSTION TUBE
611-790	AR790	"O" RING
612-340	AR2340	"O" RING, THERMISTOR BLOCK, TRUSPEC
613-563	AR563	SHORT STRAP, SC432 PKG 5
614-591	AR257	CABINET FAN, 110V
614-822-101	AR4101	SMALL BOAT LOOP
614-822-102	AR4181	NICKEL BOAT, SMALL FOR AMA 254 Hg
614-822-113	AR4113	LARGE BOAT LOOP
614-822-114	AR4114	NICKEL BOAT, LARGE FOR AMA 254 Hg
614-961	AR4961	CRUCIBLE, FP528, TRUSPEC, PKG 10
614-962	AR4962	LANCE, FP528

616-063	AR6063	BOAT PULLER, SULFUR/CARBON
616-068	AR6068	"O" RING, INNER COMBUSTION TUBE S/SC144
616-070	AR6070	INNER COMBUSTION TUBE S/SC-144
616-086	AR6086	STEPPED BOAT STOP, S/SC-144
616-089	AR6089	OUTER COMBUSTION TUBE, S/SC-144
616-108	AR6108	COMBUSTION TUBE, FP528
616-138	AR6138	"O" RING, FP-528
616-139	AR6139	"O" RING, FP-528
616-146	AR6146	LANCE, FP528
616-504	AR6504	PARTICLE FILTER, FP528
616-622	AR6622	MICRO SWITCH CN 2000 SWITCH ONLY, NO LEADS
616-632	AR6632	LANCE, SC-432 & FP-2000, 253 mm
616-635	AR394	HEAT SHIELD FOR FP/NS2000, REPLACES 609-394
617-083	AR7083	"O" RING, IN SCRUBBER CAT HEATER
617-136	AR7136	"O" RING, LOADING HEAD, TRUSPEC
617-440	AR440	"O" RING, FILTER ASSMBY TC600
617-441	AR7441	MICOR SCREEN FILTER, TCH600
617-486	AR7486	FITTING REMOVAL TOOL
617-548	AR7548	FILTER TUBE, TC500, RC612
617-605	AR7605	LARGE CRUCIBLE FOR LIQUIDS, PKG 10
617-716	AR7716	QUARTZ FILTER TUBE, TC500
618-376	AR376	ELECTRODE INSERT
618-482	AR691	ELECTRODE INSERT
618-603	AR603	CATALYST TUBE, 13.0"
618-657	AR6186	FTG ADAPTER, RC612
618-809	AR8809	REAGENT TUBE, TC600
619-065	AR9065	U-SHAPED COMBUSTION TUBE FOR TRUSPEC
619-154	AR9154	CATALYST HEATER TUBE FOR TRUSPEC
619-192	AR9192	"O" RING, BOTTOM LOAND HEAD, TRUSPEC
619-233	AR9233	THERMOCOUPLE FOR TRUSPEC TYPE K
619-268	AR9268	HIGH SENSITIVITY REAGENT TUBE FOR TRUSPEC
619-316	AR9316	LARGE VOLUME REAGENT TUBE FOR TRUSPEC
619-425	AR9425	STRAIGHT REAGENT TUBE, TRUSPEC
619-455	AR9455	LARGE REAGENT TUBE
619-566	AR9566	BRAIDED FURNACE STRAP, PKG 5
619-591-385	AR1385	"O" RING, COMBUSTION TUBE CS844
619-591-683	AR683	COMBUSTION TUBE (requires kit AR683K)
619-591-699	AR1699	PARTICLE FILTER
619-774	AR9774	LANCE, TRUSPEC CHNS MICRO
619-776	AR9776	REAGENT TUBE CHNS TRUSPEC
619-777	AR9777	DIRECTING MIDDLE TUBE, CHN TRUSPEC
619-803	AR3302	UPPER ELECTRODE BRUSH, 21 MM DIA
619-880	AR9880	10 mm HOLE COVER, BOX OF 1000
619-880-100	AR09880100	10 mm HOLE COVER, PKG OF 100
619-895	AR619	GRAPHITE CRUCIBLE, RHN600, PKG OF 1000
619-895-100	AR619100	GRAPHITE CRUCIBLE, RHN600, PKG OF 100
620-814	AR691	ELECTRODE INSERT
621-331	AR9047	TGA CRUCIBLE, PKG OF 5

625-067	AR5067	HEATING ELEMENTS, PKG 6
625-068	AR25068	ELEMENT CLIPS, PKG 12
625-401-317	AR1317	PURGE TUBE, TRUSPEC, S.S. 97 MM, 3 HOLES
625-401-352	AR1352	LANCE TUBE, TRUSPEC 225 MM
625-501	AR6255	THERMOCOUPLE, RC 612
625-505-125	AR5125	CATALYST HEATER TUBE RC612
625-505-138	AR5138	HEATING ELEMENT ASSMBY RC612
625-505-271	AR5271	KNURLED ADAPTER, RC612
625-505-168	AR5168	COMBUSTION TUBE, RC612
625-510-402	AR5104	COMBUSTION TUBE, RC612
625-601-554	AR1554	COMBUSTION TUBE, TRUMAC
625-601-555	AR1555	INNER COMBUSTION TUBE, TRUMAC
625-511-154	AR511154	LOWER CRUCIBLE CHN, PKG 5
625-602-187	AR602	CERAMIC LANCE TUBE, 4 HOLES TRUMAC 291.5MM
660-010-130	AR9233	THERMOCOUPLE FOR TRUSPEC TYPE K
701-030	APT1030	TORCH ASSEMBLY, ICP-2000 LECO
702-557	AR2557	"O" RING, TRUSPEC
750-301	AR933	DRYING TUVE, 9.0"
751-300	AR1300	ELECTRONIC BALANCE, 4TH PLACE
760-034	AR034	GRAPHITE CRUCIBLES
760-072	AR072	28 VDC BULBS
760-138	AR138	TWEEZERS, STRAIGHT
760-139	AR766	TWEEZERS, CURVED DELUX
760-144	AR022B	BRUSH, 90° BEND
760-145	AR0145	POWDER FUNNEL FOR GRAPHITE CRUCIBLES
760-193	AR193	METAL SCREEN
760-224	AR224	"O" RING
760-225	AR425	"O" RING (LOADING HEAD PLUNGER)
760-226	AR428	"O" RING
760-293	AR293	BRUSH, CLEANING, SMALL
760-304	AR0304	TEFLON WASHER
760-316	AR316	WASHER
760-317	AR317	GLASS TUBE, 6.64"
760-333	AR333	DRYING TUBE, 8"
760-335	AR424	"O" RING
760-359	AR359	"O" RING (QUICK DISCONNECT)
760-414	AR414	GRAPHITE CRUCIBLES
760-841	AR194	"O" RING
761-047	AR047	3" DRYING TUBE
761-133	AR133	DRYING TUBE, 17.125"
761-190	AR190	DRYING TUBE, 11.75"
761-375	AR3931	ELECTRODE REPAIR SERVICE
761-376	AR3931	ELECTRODE REPAIR SERVICE
761-383	AR293H	SMALL BRUSH HANDLE ONLY
761-492	AR492	"O" RING, FP428
761-618	AR618	TRAP REPAIR CHARGE/WR-12
761-651	AR1609	"O" RING, LANCE, FP/CHN

761-739	AR639	TIN PELLETS
761-747	AR611	SCHUTZE'S REAGENT, 100GM
761-918	AR918	"O" RING
761-929	AR929	CRUCIBLE TONGS FOR AR-3818
762-023	AR023	NUT ADAPTOR SEAL FOR CS44/IR12
762-056	AR056	COMBUSTION TUBE
762-057	AR416	"O" RING (DUST FILTER)
762-058	AR058	"O" RING
762-059	AR614	"O" RING (CUP ASSEMBLY)
762-060	AR417	"O" RING BACKUP
762-062	AR913	OXYGEN LANCE
762-066	AR7620	H V RECTIFIER, 8 kV 1 AMP
762-192	AR192	IR SO2 CELL, CS44/IR32/33
762-357	AR357	"O" RING (UPPER ADAPTER)
762-501	AR2501	HANDLE FOR REBUILT 521
762-523	AR523	OVEN FAN REPLACES HOWARD FAN
762-621	AR2621	IR CO2 CELL, CS44/IR12
762-627	AR2627	BISCUIT FAN, CS44
762-695	AR695	TIN METAL
762-697	AR697	LARGE THROAT BRUSH
762-741	AR 650	HYDROGEN STANDARD, 1/4 G X 25G
762-747	AR546	HYDROGEN STANDARD, 1.1 PPM H2/100
762-823	AR697H	BRUSH WITH HANDLE
762-936	AR936	GLASS SCOOP FOR V205, EXTRA LARGE
763-026	AR027B	ALPHACEL III TUNGSTEN 30# - 20 + 40
763-027	AR266B	ALPHACEL TUNGSTEN 30# - 12 + 20
763-028-500	AR027V	ALPHACEL III, TUNGSTEN, 227.27KG
763-029	AR509	NICKEL BASKETS, 1.5 GM
763-065	AR508	NICKEL BASKETS, 1.0 GM
763-191	AR103	TUBING POLYFLO, 1/4" O.D.
763-213	AR213	GRAPHITE CRUCIBLE FOR RH-1 E
763-261	AR261	FILTER PAPER, GLASS TUBE
763-263	AR266	ALPHACEL 5# - 12 + 20
763-265	AR265	GLASS WOOL, 227GM.
763-266	AR027	ALPHACEL TUNGSTEN, - 20 + 40
763-295	AR295	THERMOSTAT, UPPER ELECTRODE
763-379	AR3379	"O" RING, FP428
763-467	AR467	IRON CHIP, 25#
763-873	AR3873	ISOLATION BOX BULB, 28VDC
763-930	AR930	ACTIVATED CHARCOAL, 454G
764-015	AR015	BULB FOR 532-500, 28VDC
764-078	AR4078	1 GRAM CALIBATION WEIGHT
764-098	AR098	CELLULOSE MATERIAL, 454GM
764-216	AR4216	HELIUM REGULATOR ASSEMBLY
764-242	AR242	TIN FLUX, 454GM BTL
764-330	AR331S	GRAPHITE CRUCIBLE, RH1-EN
764-490	AR490	PEDESTAL, 2-3/4"
764-502	AR4544	ROTRON FURNACE FAN
764-545	AR2832	LUBE OIL, 4 OZ, 0.25% SULFUR
764-546	AR2835	LUBE OIL, 4 OZ., 1.00% SULFUR



764-547	AR2836	LUBE OIL, 4 OZ., 2.00% SULFUR
764-640	AR334	100 PF CAPACITOR
764-641	AR335	200 PF CAPACITOR
764-720	AR064	QUARTZ DISCONNECT TUBE, CF-10
764-775	AR775	WR-12 TRAP MATERIAL
765-068	AR5068	IR OXYGEN CELL FOR RO17
765-523	AR523	OVEN FAN, HOWARD KIT
765-624	AR624	TEFLON TUBING, 1/4" O.D./FT.
765-717	AR917	OXYGEN LANCE (WR 12)
765-746	AR746	ROTOMETER, WR12
765-818	AR5818	OPTIC ISOLATION CABLE
765-933	AR5933	LUBRICOOL COOLING AGENT
765-976	AR5976	"O" RING, AC AC100, FP428
766-036	AR6036	PNEUMATIC (AIR) REGULATOR ASSEMBLY
766-053	AR766	DELUXE CRUCIBLE TWEEZERS, CURVED
766-363	AR363	GRAPHITE CRUCIBLES
766-557	AR6557	"O" RING
766-646	AR6646	AIR FILTER COATING
766-823	AR823	MALE CLIPLOCK FITTING
767-243	AR243	FEMALE CLIPLOCK FITTING
767-277	AR277	GRAPHITE CRUCIBLES
767-385	AR085	QUARTZ WOOL, COARSE, 28.4GM
767-500	AR914	LANCE, IR33
767-518	AR7518	RETAINING WIRE CLIP SPRING
767-541	AR541	DRYING TUBE
767-542	AR542	SCOOP FOR TUNGSTEN, 0.01cc, SMALL
767-543	AR3931	ELECTRODE REPAIR SERVICE
767-544	AR3931	ELECTRODE REPAIR SERVICE
767-545	AR3931	ELECTRODE REPAIR SERVICE
767-546	AR3931	ELECTRODE REPAIR SERVICE
767-547	AR3931	ELECTRODE REPAIR SERVICE
767-548	AR3931	ELECTRODE REPAIR SERVICE
767-549	AR3931	ELECTRODE REPAIR SERVICE
767-757	AR1706	COAL STANDARD, 2.0% SULFUR
767-758	AR1707	COAL STANDARD, 2.5% SULFUR
767-759	AR720	COKE STANDARD, 0.85% SULFUR
767-838	AR838	"O" RING
768-774	AR043S	COVERS, PKG.OF 50-SAME AS AR-043
768-798	AR8798	CLEAN OUT PLUG FOR SC32/132/CR
768-944	AR944	"O" RING
768-980	AR980	PARTICLE FILTER - SC-32/132/RC612
769-335	AR469	SS RELAY, HF10, 44F 6848 240 D45
769-473	AR3931	ELECTRODE REPAIR SERVICE
769-520	AR9520	GRAPHITE CRUCIBLES/RH-2
769-608	AR608	HALOGEN TRAP MATERIAL, 200GM
769-610	AR610	HALOGEN TRAP MATERIAL, 225GM
769-743	AR3931	ELECTRODE REPAIR SERVICE
769-761	AR761	CRUCIBLES, RH-3, PKG. 100
769-802	AR3931	ELECTRODE REPAIR SERVICE
769-821	AR9821	MOLECULAR SIEVE FOR RH-2

769-897	AR897	GRAPHITE PEDESTAL RH-2 & RH-3
769-898	AR898	LOWER PEDESTAL
769-994	AR994	GRAPHITE CRUCIBLE FOR RH-1
770-247	AR247	FILTER FOR SC32/132, PKG 4
770-436	AR523	OVEN FAN WITH ADAPTER
770-718	AR0718	PRINTER
770-764	AR764	PRINTER PAPER
770-778	AR778	RIBBON SPOOL ASSEMBLY
770-779	AR7707	PRINT HEAD WITH CABLE
771-015	AR1015	MANUAL WT COMP CONTROL CS46
771-030	AR030	BUBBLE TUBE
771-040	AR3913	"O" RING
771-275	AR1275	PNEUMATIC CYLINDER, CS46/IR112
771-354	AR354	OSCILLATOR TUBE CS-144-444
771-367	AR1367	QUARTZ CRUCIBLES, DC12, PKG 50
771-373	AR373	DRYING TUBE
771-401	AR401	REACTION TUBE FOR RH-2
771-407	AR407	"O" RING
771-425	AR1425	POWER TRIODE RH-2, 7.5V
771-446	AR429	"O" RING
771-606	AR606	PEDESTAL CS-46 & EC-12
771-883	AR083	BUBBLE TUBE (EC 12)
771-991	AR991	"O" RING O28
772-005	AR760	CHART PAPER ROLL, RH2/3
772-269	AR269	"O" RING
772-381	AR2381	LANCE CLEANING WIRE
772-402	AR2402	LANCE SC-32/132/CR-12
772-403	AR6403	DRILLED LANCE TUBE, SC432
772-446	AR446	GLASS VIEWING SHIELD, SC32/132
772-449	AR449	ROD, EXTENSION, GLASS SHIELD
772-456	AR456	FLOW CONTROLLER ASSY, REPAIR
772-457	AR456	FLOW CONTROLLER W/O CARD, REPAIR
772-460	AR2460	PRESSURE SENSOR
772-469	AR469	REPLACED BY 781-165 (AR-469)
772-508	AR962	ELEMENT FOR SC32/132/CR12
772-520	AR520	"O" RING SC32, CS244, 344, RC612
772-522	AR7073	THERMOCOUPLE ONLY
772-560	AR2560	CHOPPER MOTOR
772-568	AR233Q	CERAMIC ADHESIVE ALUMINA, 32OZ
772-738	AR738	"O" RING
772-739	AR544	CATALYST TUBE (10.75")
772-747	AR2747	FAN FOR CS244
772-795	AR795	OVEN FAN, CS244 & TC136
772-905	AR057	COMBUSTION TUBE, CS 144-444
772-906	AR2906	COMBUSTION TUBE RING HOLDER
772-910	AR2910	"O" RING, PISTON SEAL, FP228
773-066	AR3066	STAND OFF INSULATOR
773-076	AR3076	INDUCTION COIL, CS46/HF-768
773-106	AR106	DELIVERY TUBE
773-136	AR3136	FITTING, SS FOR FP428

773-140	AR3140	INNER METAL FILTER, CS-46
773-141	AR320	"O" RING
773-311	AR311	SST FILTER
773-314	AR3314	UNFLUTED CLEANING BRUSH
773-316	AR789	LANCE TUBE,CS125
773-320	AR320	"O" RING
773-561	AR561	SS CLEANING BRUSH, STRAIGHT SLOTTED
773-579	AR579	METAL SCOOP
773-662	AR3662	POLYFLO FLEX TUBING, CHN
773-913	AR3913	"O" RING
773-928	AR3928	DELIVERY TUBE FOR SC32/132
773-931	AR9931	TEFLON DISCONNECT BLOCK, SC132
773-932	AR3932	COMBUSTION TUBE REPAIR SERVICE
774-031	AR4031	QUICK DISCON TUBE 1.38" OD
774-174	AR4174	PURGE TUBE
774-204	AR4204	AC CRUCIBLES, SST, PKG OF 10
774-205	AR205	FUSE WIRE, 300 DETERMINATIONS, 0.006" DIA
774-208	AR208	BENZOIC ACID TABLETS, VIAL OF 10
774-211	AR4211	"O" RING, 2.6 X 2.875
774-253	AR4253	"O" RING
774-283	AR4283	"O" RING
774-425	AR432	"O" RING, CLOSURE BLOCK
774-460	AR460	THERMOCOUPLE ASSY SC32/132/CR12
774-489	AR489	"O" RING, UPPER ELECTRODE
774-570	AR4570	VACUUM PUMP FOR EARLY SC32 110VAC
774-571	AR4571	VACUUM PUMP FOR SC32/132,24VDC
774-613	AR4613	"O" RING, HF400 PINCH VALVE
774-638	AR638	DISCO TUBE, 6" STRAIGHT, RO116
774-649	AR653	CLEANING BRUSH WITH HANDLE
774-651	AR652	BRUSH HANDLE ONLY
774-652	AR652	BRUSH FOR TC-136
774-690	AR690	KNURLED RING COLLAR,EF100/EF500
774-691	AR691	REPLACED BY 618-482
774-692	AR692	LOWER ELECTRODE EXCHANGE/REPAIR ONLY
774-693	AR693	LOWER ELECTRODE PLATE, REPAIR ONLY AUTOLOAD
774-809	AR809	INDUCTION COIL HF10, S/OIL
774-841	AR841	THERMISTOR SENSOR, LOWER DRAIN
775-288	AR3403	BENZOIC ACID POWDER, 454 GM
775-306	AR5306	SECONDARY FILTER
775-312	AR312	"O" RING, LOWER ELECTRODE
775-313	AR313	TEFLON BACKUP RING
775-314	AR314	"O" RING, PISTON BLOCK
775-330	AR5330	FOUR WAY VALVE
775-355	AR355	CATALYST TUBE, 10.75"
775-416	AR293	CLEANING BRUSH, TC-136, TN-14
775-416	AR293H	BRUSH HANDLE
775-431	AR431	INNER GRAPHITE CRUCIBLE 1000/PK
775-433	AR433	OUTER GRAPHITE CRUCIBLE 50/PK
775-446	AR5446	NEW UPPER ELECTRODE
775-446	AR3930	ELECTRODE INSERT REPAIR SERVICE

775-601	AR601	BUBBLE TUBE, LEFT
775-625	AR625	MOMENTARY PUSH SWITCH
775-677	AR677	"O" RING
775-722	AR456	FLOW CONTROLLER, REPAIR SERVICE
775-814	AR402	REACTION TUBE, THICK WALL, RH2/3
775-859	AR5859	WIRE CLEANING BRUSH, SC32/132
775-880	AR880	QUICK DISCO TUBE, 4", STRAIGHT, FP228
775-892	AR431P	INNER GRAPHITE CRUCIBLE, PKG 100
776-017	AR6017	"O" RING, BALLAST PLATE, TRUSPEC
776-095	AR095	SILICONE TUBING DUST COLL.
776-129	AR129	INDUCTION COIL, CS-144-444
776-234	AR6234	10 MICRON FILTER, 1GPM
776-247	AR053	GRAPHITE CRUCIBLES
776-265	AR6265	ADJUSTABLE PEDESTAL ASSBLY, 923/4060/6922
776-279	AR279	CATALYST HEATER TUBE
776-283	AR283	QUARTZ LANCE CHN-600/800
776-284	AR284	"O" RING, COMB TUBE FP228
776-286	AR286	COMBUSTION TUBE CHN 600
776-685	AR6685	TYNA-MITE SOLENOID
776-922	AR6922	SHIELD & COLLAR FOR PEDESTAL
776-923	AR923	QUARTZ PEDESTAL POST CS144-444
776-931	AR606	PEDESTAL HF10/20
776-962	AR962	ELEMENT FOR SC32/132/CR12
776-978	AR978	GLASS SCOOP, MAC 400
777-060	AR7060	QUARTZ COMBUSTION TUBE, SC32/132
777-064	AR928	PYREX DELIVERY TUBE FOR AR-7060
777-066	AR7066	QUARTZ LINER FOR AR-7060
777-073	AR7073	THERMOCOUPLE
778-114	AR8114	"O" RING 111
778-116	AR8116	"O" RING 256, BALLAST, FP228
778-120	AR781	NEOPRENE GASKET, BALLAST, FP228
778-379	AR8380	COMBUSTION TUBE INSULATOR, FP528
778-492	AR456	FLOW CONTROLLER, REPAIR SERVICE
778-596	AR596	SST FILTER
778-674	AR674	GRAPHITE CRUCIBLE, 2GM
778-891	AR8891	CRUCIBLE, QUARTZ, LARGE, EA
778-892	AR8892	COVER, QUARTZ, LARGE, EA
780-044	AR609	ASSY SAMPLE PULLER
780-047	AR1202	REACTION TUBE FOR DH102
780-093	AR093	QUARTZ CRUCIBLE, MAC 400
780-094	AR094	QUARTZ CRUCIBLE COVER, MAC 400
780-379	AR379	QUARTZ WINDOW
780-831	AR831	"O" RING, CHN 1000 LANCE
780-853	AR853	THERMISTOR, LEVEL
780-890	AR7808	LARGE GRAPHITE CRUCIBLE, 1000/pkg
780-892	AR0892	GRAPHITE COVERS FOR AR-7808,1000/pkg
780-899	AR899	HONEYCOMB SUPPORT, 1.25W X 1.5L FP
780-911	AR910	CATALYST HEATER TUBE
780-927	AR927	PRINTER PAPER ROLL
780-928	AR926	PRINTER RIBBON

780-953	AR922	PEDESTAL CS-125
781-098	AR1098	THERMISTOR, HIGH WATER
781-101	AR101	THERMISTOR, LOW WATER
781-165	AR469	SS RELAY TC136 44F 6848 240 D45
781-273	AR028	CERAMIC CRUCIBLE TRAY
781-335	AR1335	QUARTZ BOAT FOR RC-412, RC612
781-371	AR371	FAN FOR CS244, 240V, 50/60Hz
781-424	AR1424	"O" RING
781-585	AR1585	OVER TEMP THERMOCOUPLE, RC612
781-671	AR671	INK JET PRINTER PAPER
781-698	AR1698	CATALYST TUBE RH402,QUARTZ,10.75"
781-883	AR1883	INK JET PAPER 500
781-902	AR902	INK JET CARTRIDGE
782-004	AR928	DELIVERY TUBE SC132/32/CR-12
782-010	AR7060	QUARTZ COMBUSTION TUBE
782-038	AR2038	COMBUSTION TUBE FOR RC-412
782-059	AR2059	NICKEL BOAT LINERS, PKG/10 FOR AR1335
782-079-110	AR9023	CERAMIC BOAT STOP, HI FLOW
782-079-115	AR9110	CERAMIC BOAT STOP, MEDIUM FLOW
782-079-120	AR9022	CERAMIC BOAT STOP, LOW FLOW
782-338	AR2338	MOISTURE REMOVAL TUBE, INDICATING
782-428	AR2428	QUARTZ CATALYST TUBE, RC-412
782-534	AR3930	ELECTRODE INSERT REPAIR SERVICE
782-601	AR2601	VACUUM CLEANER
782-703	AR7203	HI PURITY OUTER GRAPHITE CRUCIBLE 1000/pkg
782-703-100	AR2703P	HI PURITY OUTER GRAPHITE CRUCIBLE 100/pkg
782-719	AR782P	HI TEMP GRAPHITE CRUCIBLE, 200/pkg
782-720	AR7827	HI TEMP GRAPHITE CRUCIBLE, BOX OF 1000
782-720S	AR720S	GRAPHITE HI-DENSITY HI-TEMP CRUCIBLE
782-720SHD	AR782HD	GRAPHITE HI-DENSITY HI-TEMP CRUCIBLE
782-721	AR721	HI-TEMP ELECTRODE INSERT
782-795HD	AR2795	INNER CRUCIBLE FOR AR-2703, 1000/pkg
782-835	AR3930	ELECTRODE INSERT REPAIR SERVICE
782-877	AR877	TRIM STEP BRUSH FOR 782-918
782-880	AR2880	VACUUM FILTER FOR CS444
782-918	AR877H	HANDLE ONLY FOR AR-877
782-938	AR938	COMPOSITE BRUSH FOR 782-942
782-942	AR938H	HANDLE ONLY FOR AR-938
783-177	AR962	HEATING ELEMENT FOR SC32/132, CR12
783-189	AR3189	"O" RING, CHN1000
783-190	AR3897	"O" RING, CHN1000 REPLACED BY 783-897
783-193	AR8343	CHN-1000 FURNACE ELEMENT WITH INSULATION
783-274	AR278	LANCE ONLY WITHOUT METAL RING
783-278	AR278	FURNACE LANCE, CHN1000
783-299	AR2038	COMBUSTION TUBE FOR RC-412
783-301	AR3301	BRUSH END, .38DIA.
783-302	AR3302	BRUSH END MODIFIED
783-515	AR515	"O" RING

783-897	AR3897	"O" RING, CH1000
789-094	AR618	TRAP ASSEMBLY, MOL SIEVE, WR-12/112
789-114	AR6317	STAINLESS PURGE TUBE FOR SC432
789-115	AR789	LANCE TUBE ASSMBY, CS225, WO/AUTOCLNR 4.28"
789-116	AR4174	PURGE TUBE, SC32/132
789-118	AR9118	LANCE TUBE ASSY, 5.12LG,CS225
789-122	AR2601	VACUUM CLEANER, SPECIFY 110/220 VAC
789-412	AR9412	CATALYST TUBE 10.75 INCH
874-000-181	AR4181	NICKEL BOAT, SMALL FOR LECO AMA 254 Hg

ELMENTAR	ALPHA®	DESCRIPTION	ELMENTAR	ALPHA®	DESCRIPTION
03 001 118	AEB-2147	Sulphanilic Acid OAS 5gm	03 960 157	AR60157	Silica Gel 1kg
03 001 248	AR1620	Forceps Stainless Steel Curved Points	03 960 350	AEB-2132	Nicotinamide OAS 1gm
03 002 252	AR02252	O Ring Silicone Rubber ea	03 968 006	AR 241	Vacuum Grease 150gm
03 002 253/4	AR2253/4	Reduction Tube Quartz Rapid N	05 000 043	AR00043	O Ring Silicone Rubber ea
03 002 262	AR 049	Platinum Catalyst 30gm	05 000 086	AR00086	Alumina (Aluminium Oxide) Wool Fine 20gm
03 002 267	AR02267	O Ring Viton Rubber ea	05 000 087	AR00087	Ash Finger Ceramic Rapid N
03 002 268	AR02268	O Ring ea	05 000 088	AR50088	Oxygen Lance 140mm
03 002 395	AR02395	O Ring for gripper arm ea	05 000 092	AR00092	O Ring Kalrez ea
03 002 607	AR02607	Shaft Seal ea	05 000 095	AR00095	O Ring Viton Rubber ea
03 002 849	AR01040	Post Combustion Tube Rapid N	05 000 096	AR00096	O Ring Viton Rubber ea
03 651 011	AR51011	Tubing PTFE 5mm OD x 3mm ID 0.5m	05 000 140	AR00140	O Ring Nitrile Rubber ea
03 653 103	AR53103	O Ring Silicone Rubber ea	05 000 247	AR00247	Seal Viton Rubber ea
03 653 118	AR53118	O Ring Silicone Rubber ea	05 000 248	AR00248	O Ring Silicone Rubber ea
03 654 505	AR54505	O Ring Silicone Rubber	05 000 249	AR00249	O Ring Viton Rubber ea
03 654 603	AR54603	O Ring Silicone Rubber pack of 10	05 000 308	AR2167	Tin Capsule smoth, 8 x 21 mm, pack of 100
03 654 615	AR54615	O Ring Nitrile Rubber ea	05 000 311	AR2166	Smooth Wall Tin Capsules Round Base 20 x 8mm pack of 100
03 654 627	AR54627	O Ring Viton Rubber ea	05 000 316	AR05316	Nitrogen Free Paper 12cm x 12cm x 500 sheets
03 654 629	AR54629	O Ring Silicone Rubber ea	05 000 341	AR00341	O Ring Viton Rubber ea
03 654 701	AR54701	O Ring Silicone Rubber	05 000 353	AR50353	Quadring Viton Rubber ea
03 654 772	AR54772	O Ring ea	05 000 354	AR00354	Oxygen Lance Vario-EL
03 654 814	AR54814	O Ring Silicone Rubber ea	05 000 359	AR00359	O Ring Viton Rubber ea
03 667 990	AR67990	Sealing Ring ea	05 000 368	AR00368	O Ring ea
03 667 991	AR67991	Sealing Ring ea	05 000 369	AR00369	O Ring Viton Rubber ea
03 679 900	AR2174	EMASorb A Granular 0.8 to 1.6mm 14 to 25 mesh 500gm	05 000 371	AR00371	O Ring Viton Rubber ea
03 679 901	AR 171	Magnesium Perchlorate 454gm	05 000 372	AR00372	O Ring Viton Rubber ea
03 679 905	AR01029	Copper Oxide Wires (Coarse) Coarse wires 6 x 0.65mm 250gm	05 000 384	AR00384	Quadring Nitrile Rubber ea
03 679 907	AEB-1008	Silica (Quartz) Chips Granular 1 to 2mm 100gm	05 000 385	AR00385	O Ring Viton Rubber ea

<b>03 679 908</b>	AR 177	Silica (Quartz) Wool Very Fine 10gm	<b>05 000 400</b>	AEB-2047	Benzoic Acid OAS 5gm
<b>03 679 910</b>	AR79910	High Purity Carbon Granular 0.3 to 0.85mm 5gm	<b>05 000 416</b>	AR00416	O Ring Viton Rubber ea
<b>03 679 914</b>	AR79914	Lead(II) Chromate Granular 0.85 to 1.7mm 4 250gm	<b>05 000 425</b>	AR00425	O Ring ea
<b>03 679 915</b>	AR79915	Cerium Dioxide Granular 100gm	<b>05 000 429</b>	AR2186	Tin Foil Cones Standard Weight pack of 100
<b>03 679 924</b>	AR 189	Copper Wire, 100 g	<b>05 000 429</b>	AR2186-200	Tin Foil Cones Standard Weight pack of 200
<b>03 679 941</b>	AR79941	O Ring Silicone Rubber ea	<b>05 000 468</b>	AR 502	Benzoic Acid 10gm
<b>03 679 942</b>	AR1053	Acetanilide OAS 5gm	<b>05 000 469</b>	AR00469	Cerium Dioxide Fused Granular 100g
<b>03 951 619</b>	ATD-4005	Smooth Wall Tin Capsules Flat Base 9 x 3.5mm pack of 250	<b>05 000 481</b>	AR 059	Smooth Wall Tin Capsules Flat Base 11 x 4.75mm pack of 250
<b>03 960 157</b>	AR60157	Silica Gel 1kg	<b>12.01-1008/4</b>	AR02530S	Stainless Steel Spacers Tungsten System pack of 11
<b>03 960 350</b>	AEB-2132	Nicotinamide OAS 1gm	<b>12.01-1008/4</b>	AR02530S-200	Stainless Steel Spacers Tungsten System pack of 200
<b>03 968 006</b>	AR 241	Vacuum Grease 150gm	<b>12.01-1012/4</b>	AR10124	Tin Foil Squares Standard Weight 50 x 50mm pack of 100
<b>05 000 043</b>	AR00043	O Ring Silicone Rubber ea	<b>12.01-1013/4</b>	AR02510	Quartz Reduction Tube Tungsten System Rapid N
<b>05 000 086</b>	AR00086	Alumina (Aluminium Oxide) Wool Fine 20gm	<b>12.01-1032/4</b>	AR11032/4	Distance Ring
<b>05 000 087</b>	AR00087	Ash Finger Ceramic Rapid N	<b>15.00-1189</b>	AR01189	Ash Finger - High Temperature Pyrocube
<b>05 000 088</b>	AR50088	Oxygen Lance 140mm	<b>22 127 245/3</b>	AR72453	Reduction Tube Rapid CHN
<b>05 000 092</b>	AR00092	O Ring Kalrez ea	<b>22 127 313/4</b>	AR73134	Receptacle Insert CHN Rapid
<b>05 000 095</b>	AR00095	O Ring Viton Rubber ea	<b>22 131 365</b>	AEB-1231	Silver Wool 0.05mm Fine Wire 50gm
<b>05 000 096</b>	AR00096	O Ring Viton Rubber ea	<b>22 133 210/3</b>	AR32103	Pyrolysis Tube Vario-EL
<b>05 000 140</b>	AR00140	O Ring Nitrile Rubber ea	<b>22 133 211/4</b>	AR32114	Pyrolysis Tube Insert Vario-EL
<b>05 000 247</b>	AR00247	Seal Viton Rubber ea	<b>22 133 212</b>	AR33212	Silver Weighing Boats 12 x 6 x 6mm pack of 100
<b>05 000 248</b>	AR00248	O Ring Silicone Rubber ea	<b>22 133 213</b>	AR33213	Silver Boats 15 x 8 x 8mm pack of 70
<b>05 000 249</b>	AR00249	O Ring Viton Rubber ea	<b>22 133 214</b>	AR33214	Silver Boats 20 x 10 x 9mm pack of 42
<b>05 000 308</b>	AR2167	Tin Capsule smoth, 8 x 21 mm, pack of 100	<b>22 137 418</b>	AR37418	Tin Weighing Boats 12 x 4 x 4mm pack of 1000

<b>05 000 311</b>	AR2166	Smooth Wall Tin Capsules Round Base 20 x 8mm pack of 100	<b>22 137 419</b>	AR37419	Tin Weighing Boats 12 x 6 x 6mm pack of 500
<b>05 000 316</b>	AR05316	Nitrogen Free Paper 12cm x 12cm x 500 sheets	<b>22 137 420</b>	AR37420	Tin Boats 8 x 8 x 15mm pack of 250
<b>05 000 341</b>	AR00341	O Ring Viton Rubber ea	<b>22 156 202/3</b>	AR62023	Combustion Tube Rapid CHN
<b>05 000 353</b>	AR50353	Quadring Viton Rubber ea	<b>22 160 200/4</b>	AR02004	Drying Guard Tube Borosilicate Elementar
<b>05 000 354</b>	AR00354	Oxygen Lance Vario-EL	<b>22 160 301/4</b>	AR01032	Purification U Tube Vario-EL
<b>05 000 359</b>	AR00359	O Ring Viton Rubber ea	<b>23.00-1020</b>	AR23001	Glassy Carbon Tube Pyrocube
<b>05 000 368</b>	AR00368	O Ring ea	<b>23.00-1021</b>	AR01021	Ceramic Tube Pyrocube
<b>05 000 369</b>	AR00369	O Ring Viton Rubber ea	<b>23.00-1149</b>	AR01149	Reaction Tube Pyrocube
<b>05 000 371</b>	AR00371	O Ring Viton Rubber ea	<b>23.00-1150</b>	AR01150	Combustion Tube Pyrocube
<b>05 000 372</b>	AR00372	O Ring Viton Rubber ea	<b>25 00-1048</b>	AR01048	Post Combustion Tube
<b>11.02-1036/4</b>	AR11364	Ash Finger	<b>25.00-0017</b>	AR01007	Quartz reduction/tungsten tube 29mm (from sn 12991001)
<b>11.45-1012/4</b>	AR10124	Oxygen Lance 190mm	<b>25.00-0029</b>	AR00029	Gripper Arm With O Rings
<b>12 001 008</b>	AR 929	Crucible Tongs Rapid N	<b>25.00-1028</b>	AR01028	Combustion Tube Quartz VarioMax
<b>12 010 032</b>	AR10032	Tin Foil Squares Standard Weight 37 x 37mm pack of 400	<b>25.00-1030</b>	AR01030	Combustion Tube
<b>12.00-0040</b>	AR02530	Tungsten Granulated 470g	<b>25.20-1003</b>	AR01003	Connecting Tube Transparent Silica 130mm (Includes O-Rings)
<b>12.00-0040</b>	AR02530B	Tungsten Granulated 30 pounds	<b>34 001 339/4</b>	AR2216/4	U-Tube Large
<b>12.00-1004/4</b>	AR01004/4	Wire Mesh Ronde 22mm	<b>34.00-1069/4</b>	AR10694	Combustion Tube High TOC II
<b>12.00-1005/4</b>	AR10054	Wire Mesh Ronde 18mm	<b>35.00-2125</b>	AR02125	Reactor Tube liquiTOC
<b>12.00-1006/4</b>	AR01020	Combustion Tube Rapid N	<b>50 008 449/4</b>	AR08449/4	Wire Mesh Ronde 26.8mm
<b>12.00-1009</b>	AR01009	Tin Boats 9 x 10 x 20mm pack of 120	<b>50 008 467</b>	AR01008	Alumina (Aluminum Oxide) Spheres 2 to 4mm 40gm
<b>12.00-1087/4</b>	AR10874	Ash Finger Stainless Steel	<b>50 008 467</b>	AR01008-200	Alumina (Aluminum Oxide) Spheres 2 to 4mm 200gm
<b>12.01-0033</b>	AR2397-400	Tin Foil Cups 50 x 50mm pack of 400	<b>88 895 805</b>	AR01011	Aspartic Acid OAS 100gm

## Alpha Products for Metallography

Alpha offers a complete line of products for metallography. No major supplier of metallographic equipment and supplies makes any of their own abrasives, diamond or mounting compounds, polishing cloths or much else of the other over-priced items they supply under their fancy labels. Alpha offers you a quality line of products from a select number of proven suppliers. All at **AFFORDABLE** prices



**METALS**

**HORIBA**

**Crude  
Oil**

**SPECTRO**

**Coke**

*Titanium  
Pins*

**BAIRD**

**elementar**

**COAL**

**FISONS**

**ARL STANDARDS**

**Supplies**

**Plant  
Tissue**

**PERKIN ELMER**

**ASOMA**

**COAL**

*Chlorine*

*Petroleum*

**CHN/O/S**

**ICP**

**Elemental  
Analysis**

**LECO®**